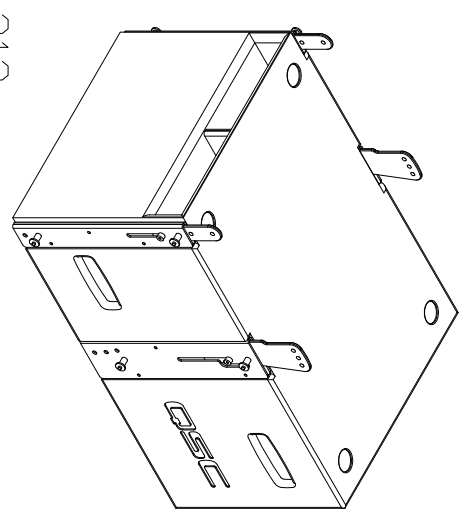
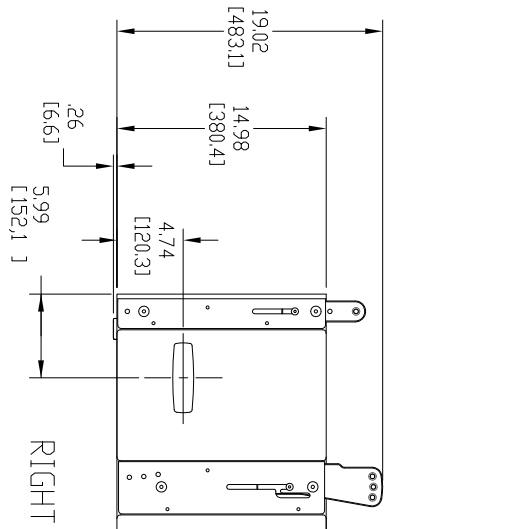
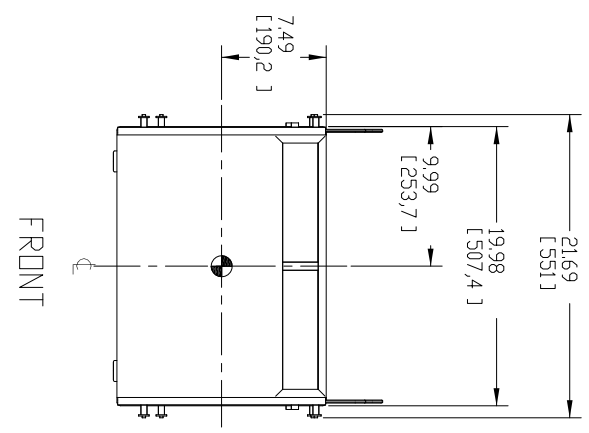
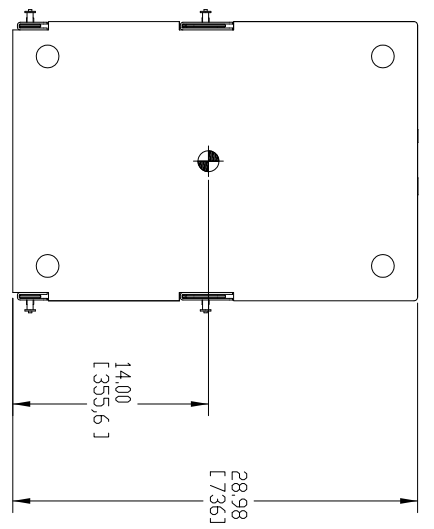
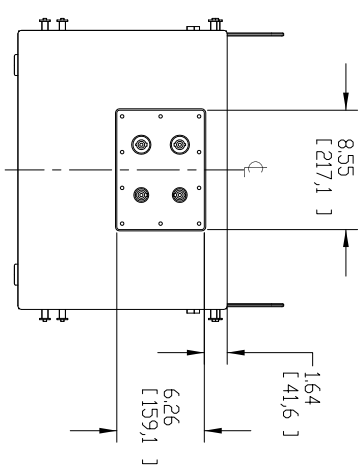
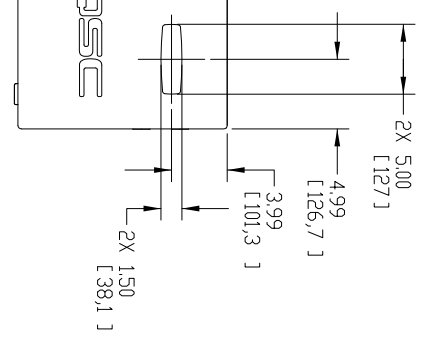


THIS DRAWING CONTAINS PROPRIETARY INFORMATION. IT IS NOT TO BE REPRODUCED, COPIED, OR TRANSMITTED IN ANY MANNER WITHOUT THE WRITTEN CONSENT OF QSC AUDIO PRODUCTS, INC.



WL212-SW



REAR

REV	DESCRIPTION	EFF DATE	CHK	APPROVED DATE
A	PRODUCTION RELEASE PER ECO 7895 JD	03-28-07		B.H.

REVISITONS

DWG NO. RD-000442-01  
 SH 1  
 REV A

**QSC**  
 QSC AUDIO PRODUCTS, INC.  
 1675 MACARTHUR BOULEVARD  
 COSTA MESA, CA 92626

**SPEAKER, FINISHED, WL212-SW**

UNLESS OTHERWISE SPECIFIED DIMENSIONS ARE IN INCHES.		TOLERANCES ARE:		DECIMALS .0005 ANGLES ±1/2°	
FINISH NONE		MATERIAL NONE		DRAWN J. DELARM	
DID NOT SCALE DRAWING		CHECKED B. HAWKINS		DATE 27-Mar-07	
CONTRACT NO.		APPROVALS		DATE	
RD-000442-01-A0		A. RUTKIN		27-Mar-07	
SCALE 0.150		D. DELARM		27-Mar-07	
SHEET 1 OF 1		ISSUED		DATE	
RD-000442-01-A0		A. RUTKIN		27-Mar-07	
RD-000442-01-A0		D. DELARM		27-Mar-07	
RD-000442-01-A0		B. HAWKINS		27-Mar-07	
RD-000442-01-A0		J. DELARM		27-Mar-07	

- PARTS ARE SYMMETRICAL ABOUT CENTER LINES UNLESS OTHERWISE NOTED.
  - SYMBOL  $\odot$  INDICATES SUSPENSION POINT,  $\phi .32"$ .
  - SYMBOL  $\oplus$  INDICATES CENTER OF BALANCE.
  - TOLERANCES (INCHES): .XX ± .13, ANGLES: ± 1°.
  - NET WEIGHT APPROX. 109 LBS (49.5 KG).
- NOTE: UNLESS OTHERWISE SPECIFIED

8 7 6 5 4 3 2 1