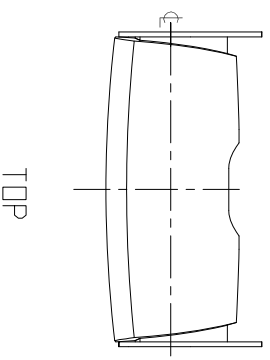
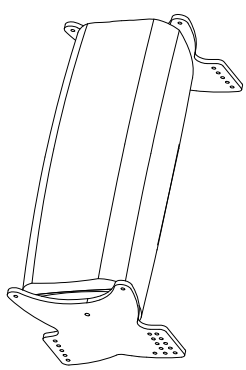


THIS DRAWING, INCLUDING DIMENSIONS, REPRESENTS THE DESIGN OF THE PRODUCT AS SHOWN. IT IS THE RESPONSIBILITY OF THE USER TO VERIFY THE DIMENSIONS AND MATERIALS OF THE PRODUCT AS SHOWN. THE USER SHALL BE RESPONSIBLE FOR ANY DIMENSIONAL VARIATIONS OR MATERIAL DEFICIENCIES. THE USER SHALL BE RESPONSIBLE FOR ANY DIMENSIONAL VARIATIONS OR MATERIAL DEFICIENCIES.

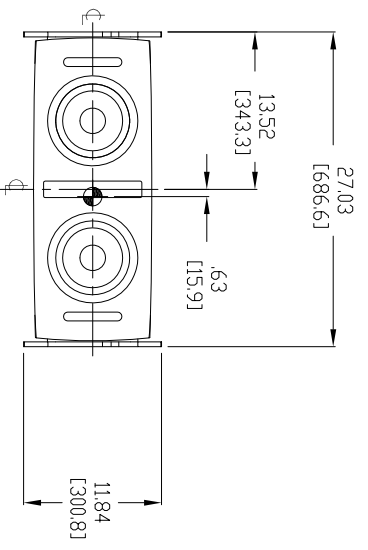
REV	DESCRIPTION	EFF. DATE	CHK	APPROVED DATE
A	RELEASE PER ECD 6943 AA	12-20-05		JD
B	REVISED PER ECD 7260	6-16-06		BH



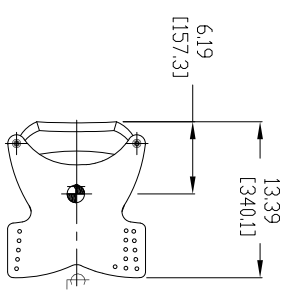
TOP



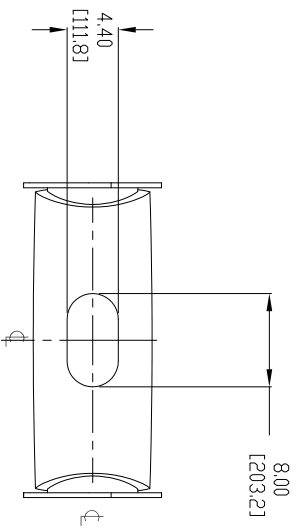
WL2082-1



FRONT



RIGHT



REAR

DESCRIPTION
WL2082-1 / BLACK
WL2082-1 / WHITE

**QSC**  
QSC AUDIO PRODUCTS, INC.  
1675 MACARTHUR BOULEVARD  
COSTA MESA, CA 92626

SPK ASSY, WL2082-1  
(MECHANICAL SPECIFICATION)

4. TOLERANCES (INCHES): .XX ± .13, ANGLES: ± 1°.
  3. SHIPPING WEIGHT APPROX. 50 LB (22.7 KG).
  2. NET WEIGHT APPROX. 37 LB (16.8 KG).
  1. SYMBOL INDICATES CENTER OF BALANCE.
- NOTE: UNLESS OTHERWISE SPECIFIED

UNLESS OTHERWISE SPECIFIED DIMENSIONS ARE IN INCHES.	
TOLERANCES ARE:	ANGLES ±1/2°
DECIMALS .0010	FRACTIONS 1/32
XX ±.00 .XXX ±.010	±1/2°
FEEDBACK DIMENSIONS .010 R MAX	
MATERIAL	NONE
FINISH	NONE
DD NOT SCALE DRAWING	

CONTRACT NO.	
APPROVALS	DATE
DRAWN C. IVERSSON	05-Jun-06
CHECKED S. ELIZALDE	12-19-05
DESIGNED A. RUTKIN	12-19-05
ISSUED D. DELARM	12-20-05
RD-000315-03.mch.B.5+	

SIZE	C	GRADE CODE	00P W4	DWG. NO.	RD-000315-01	REV	B
SCALE	0.125				RD-000315-01.B.8+	SHEET	1 of 1
QSC							

