

**Features**

- Compact size, ideal for smaller cinemas
- 8" woofer and 1" soft dome tweeter offer outstanding audio performance
- Pre-installed QuickMount Bracket for fast, easy and secure installation
- High-power handling capability meets the demands of D-Cinema soundtrack reproduction



Developed specifically for the unique requirements of professional motion picture playback in smaller cinemas, QSC extends its commitment to the cinema market with the introduction of the SR-8100 Cinema Surround Loudspeaker. As a member of QSC's DCS (Digital Cinema Speaker) Series, the SR-8100 offers high-power handling, excellent sensitivity, and extended bass response in a very compact enclosure.

The SR-8100 Cinema Surround Loudspeaker features a high-power, long-throw 8" low-frequency transducer coupled with a 1" soft dome tweeter. The system's MDF enclosure features a 15° down angle baffle and easily accessible terminals on the top of the enclosure. The 125 watt continuous power rating and sophisticated crossover with protection circuitry provides absolute reliability.

The compact black enclosure with black grille blends into any theatre decor. The QuickMount bracket design allows for fast, easy and secure installation. The loudspeaker half of the bracket comes pre-installed on each SR-8100. The QuickMount QM-SW wall bracket is purchased separately to allow shipment to the job site ahead of the loudspeakers. A traditional U-bracket, the YM-300, is also available in lieu of the QuickMount bracket system. The SR-8100 is shipped in pairs to reduce shipping costs.

**Specifications**

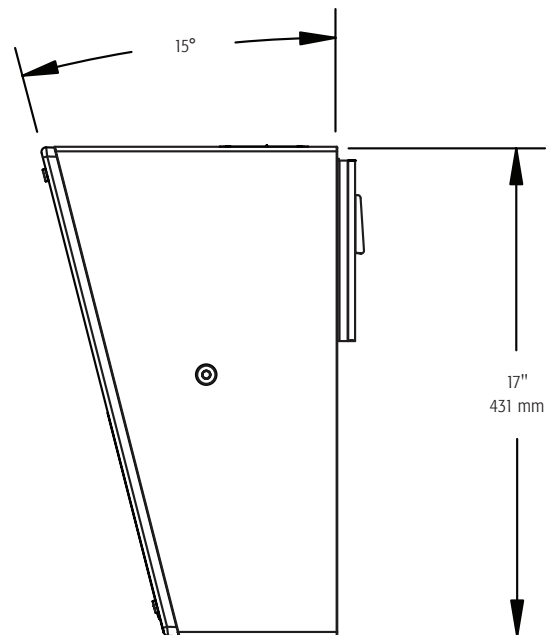
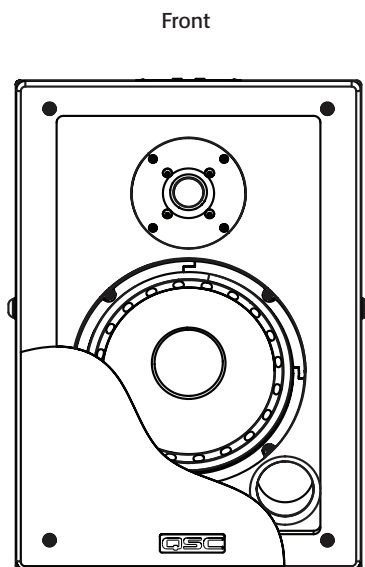
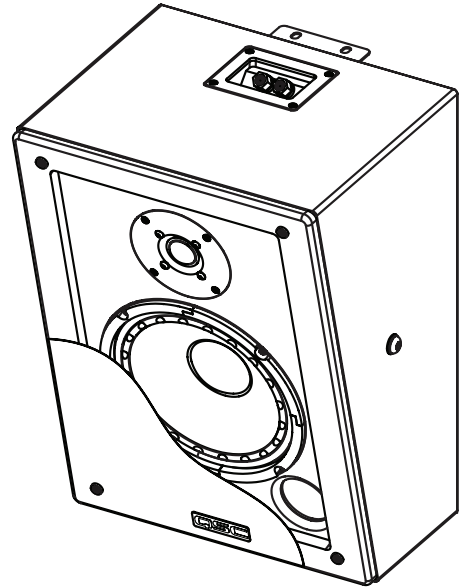
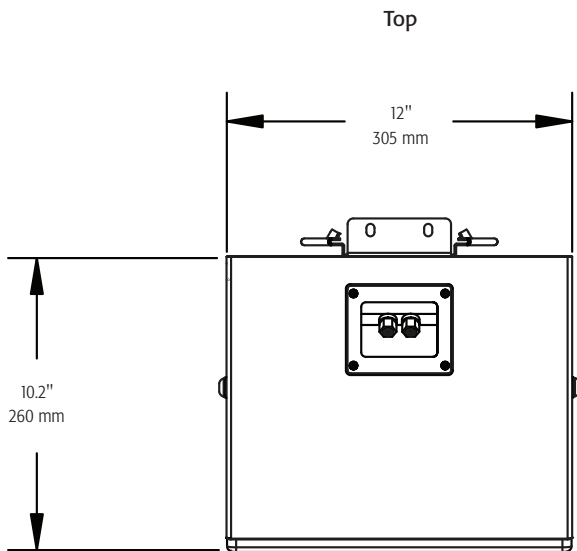
Frequency Range <sup>1</sup>	
-6 dB full space	72 Hz – 20 kHz
-10 dB full space	54 Hz – 20 Hz
Nominal Coverage	130° horizontal x 110° vertical (averaged from 1 kHz to 8 kHz, -6 dB)
Maximum Output <sup>2</sup>	
Calculated Peak at Rated Power	118 dB
Calculated Continuous	112 dB
Impedance	8Ω nominal
Maximum Input Power <sup>3</sup>	
Continuous	125 W RMS
Recommended Amplifier Power	200 W RMS maximum into 8Ω
Sensitivity 1 watt/1 meter <sup>4</sup>	91 dB
Crossover Frequency	1.7 kHz
Recommended Processing	Subsonic filter at 50 Hz as provided by QSC DCA amplifiers
Connectors	5-way Binding Post
Transducers	8" long throw low-frequency transducer 1" soft dome tweeter
Enclosure	MDF, baffle angle is 15° downward
Dimensions (HWD)	17" x 12" x 10.2" (431 mm x 305 mm x 260 mm)
Weight – Net	17.7 lb (8 kg) single speaker
– Shipping	43 lb (19.5 kg) shipped in pairs

1) Relative to sensitivity, full-space, without external processing

2) Calculated SPL at 1 m, full-space, speaker operating at rated continuous power handling, 6 dB crest factor

3) IEC268-5, 2 hrs, Power = V<sup>2</sup>/Z<sub>min</sub>

4) Full-space, average 200 Hz – 2 kHz



Side

Specifications subject to change without notice.

QSC, and the QSC logo are registered trademarks of QSC Audio Products, LLC in the U.S. Patent and Trademark office and other countries. All other trademarks are the property of their respective owners. Patents may apply or be pending.

1675 MacArthur Boulevard • Costa Mesa, CA 92626 • Ph: 800/854-4079 or 714/957-7100 • Fax: 714/754-6174

SR-8100 Spec Sheet - 07/08/08