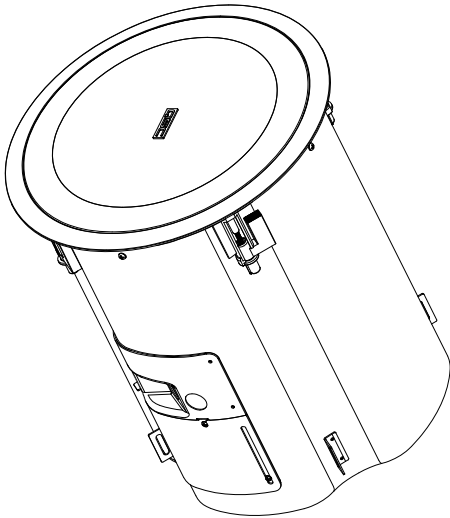
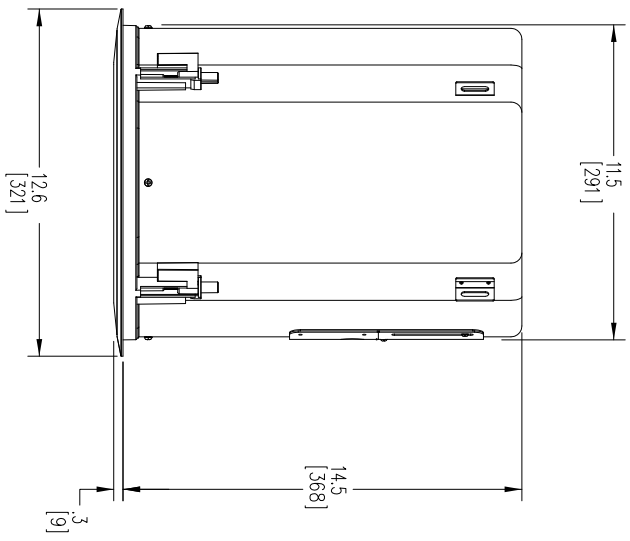
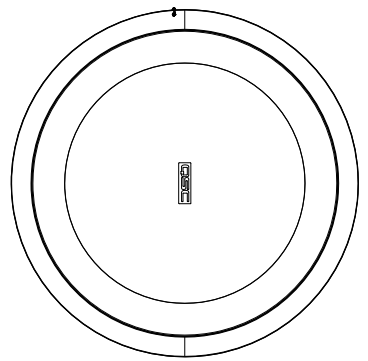


THIS DRAWING CONTAINS PROPRIETARY INFORMATION AND IS NOT TO BE REPRODUCED, COPIED, OR TRANSMITTED IN ANY MANNER WITHOUT THE WRITTEN PERMISSION OF OSC AUDIO PRODUCTS, INC.



REV	DESCRIPTION	EFF DATE	CHK	AP/VD
A	PRODUCTION RELEASE PER ECO 8386 4A	11-09-07	LE	DD

REVISIONS

UNLESS OTHERWISE SPECIFIED DIMENSIONS ARE IN INCHES. TOLERANCES ARE: DECIMALS .XX ±.02 .XXX ±.010 ANGLES ±1/2° DEBURR EDGES .010 R MAX

CONTRACT NO.		APPROVALS		DATE	
MATERIAL		DRAWN		CHECKED	
FINISH		A. ARANDA		M. HARRIS	
DO NOT SCALE DRAWING		G. TSOCHETTER		D. DELARM	
SCALE 0.300		SIZE C		DWG NO. RD-000479-00	
MODEL INFO 3		ISSUED		REV A	
DRAWING INFO		RD-000479-00A/D		SHEET 1 OF 1	

**OSCA**  
 OSC AUDIO PRODUCTS, INC.  
 1675 MACARTHUR BOULEVARD  
 COSTA MESA, CA 92626

**SPEAKER, FINISHED,**  
 AD-C81

1. NET WEIGHT APPROX. 9.1 KG (20.0 LBS).
  2. TOLERANCES (INCHES): .XX ± .13, ANGLES: ± 1°
- NOTE: UNLESS OTHERWISE SPECIFIED

