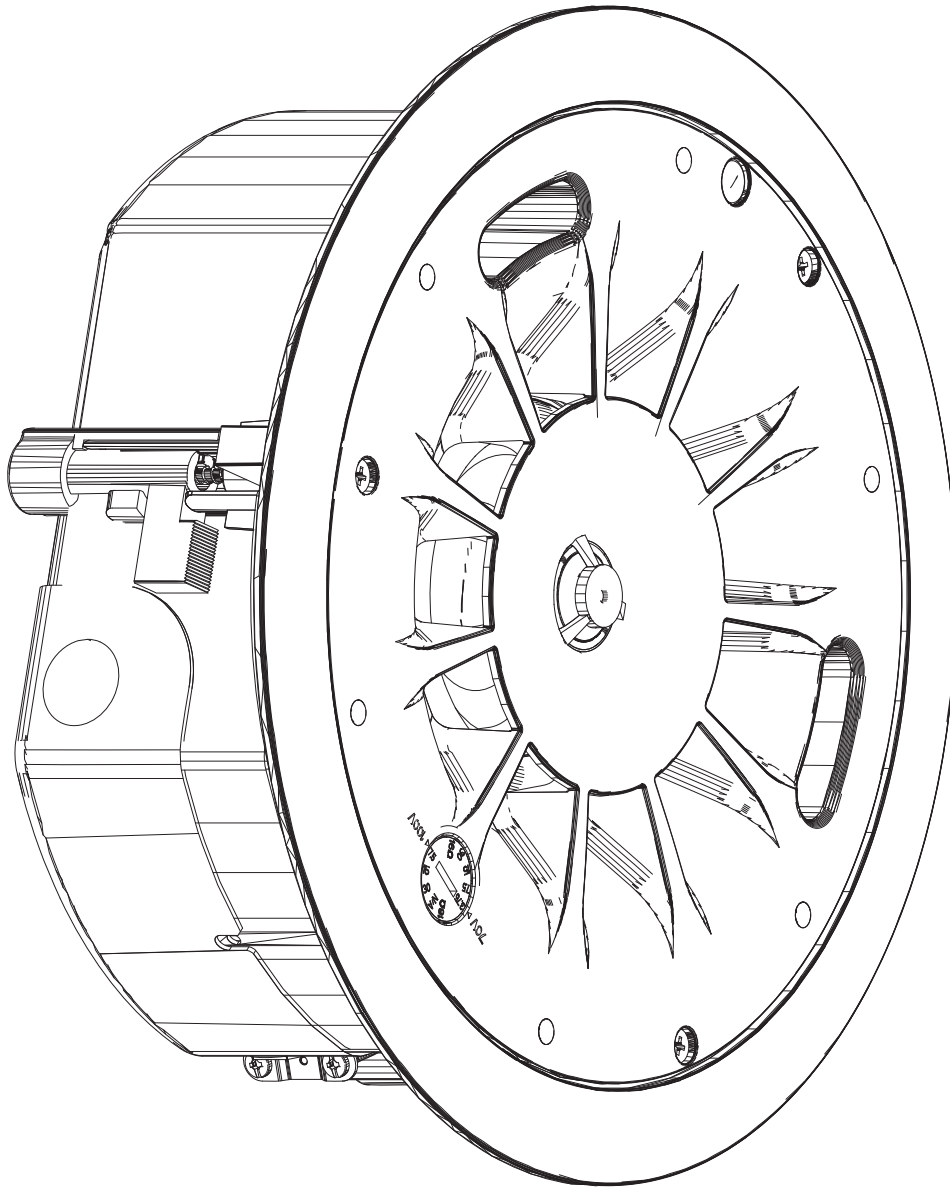


# AcousticDesign (AD)

## Quick Start Guide



Model: AD-C6T-LP



TD-000535-00-A



## EXPLANATION OF SYMBOLS

The term "WARNING!" indicates instructions regarding personal safety. If the instructions are not followed the result may be bodily injury or death.

The term "CAUTION!" indicates instructions regarding possible damage to physical equipment. If these instructions are not followed, it may result in damage to the equipment that may not be covered under the warranty.

The term "IMPORTANT!" indicates instructions or information that are vital to the successful completion of the procedure.

The term "NOTE" is used to indicate additional useful information.



The intent of the lightning flash with arrowhead symbol in a triangle is to alert the user to the presence of un-insulated "dangerous" voltage within the product's enclosure that may be of sufficient magnitude to constitute a risk of electric shock to humans.



The intent of the exclamation point within a triangle is to alert the user to the presence of important safety, and operating and maintenance instructions in this manual.



### IMPORTANT SAFETY INSTRUCTIONS



- Read these instructions
- Keep these instructions.
- Heed all warnings.
- Follow all instructions.
- Do not use this apparatus near water.
- Clean only with a dry cloth.
- Do not install near any heat sources such as radiators, heat registers, stoves, or other apparatus (including amplifiers) that produce heat.
- Only use attachments/accessories specified by the manufacturer.
- Refer all servicing to qualified service personnel. Servicing is required when the apparatus has been damaged in any way, such as power-supply cord or plug is damaged, liquid has been spilled or objects have fallen into the apparatus, the apparatus has been exposed to rain or moisture, does not operate normally, or has been dropped.
- Do not use this apparatus in or near water or liquids.
- Do not submerge the apparatus in water or liquids.
- Do not use any aerosol spray, cleaner, disinfectant or fumigant on, near or into the apparatus.
- Do not block any ventilation opening. Install in accordance with the manufacturer's instructions.
- Keep ventilation opening free of dust or other matter.
- Adhere to all applicable, local codes.
- Consult a licensed, professional engineer when any doubt or questions arise regarding a physical equipment installation.

## Maintenance and Repair

Advance technology, e.g., the use of modern materials and powerful electronics, requires specially adapted maintenance and repair methods. To avoid a danger of subsequent damage to the apparatus, injuries to persons and/or the creation of additional safety hazards, all maintenance or repair work on the apparatus should be performed only by a QSC authorized service station or an authorized QSC International Distributor. QSC is not responsible for any injury, harm or related damages arising from any failure of the customer, owner or user of the apparatus to facilitate those repairs.

## Warranty

For a copy of the QSC Limited Warranty, visit the QSC website at [www.qsc.com](http://www.qsc.com)

Para una copia de la Garantía Limitada de QSC, visite el sitio web de QSC, en [www.qsc.com](http://www.qsc.com)

Pour obtenir une copie de la garantie limitée de QSC, visitez le site de QSC à [www.qsc.com](http://www.qsc.com)

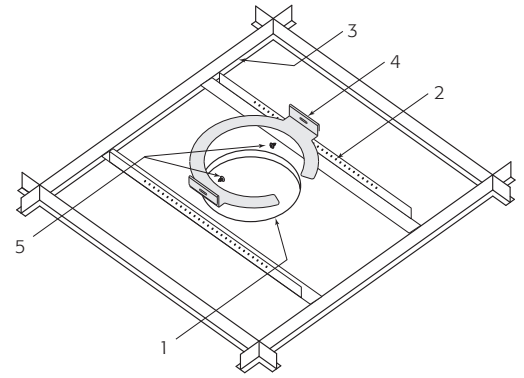
Besuchen Sie die Webseite von QSC ([www.qsc.com](http://www.qsc.com)) um eine Kopie der beschränkte Garantie von QSC zu erhalten.

如果您想要QSC有限保修的複印本，請造訪QSC音頻產品的網站[www.qsc.com](http://www.qsc.com)

## Prepare Ceiling

Refer to Figure 1.

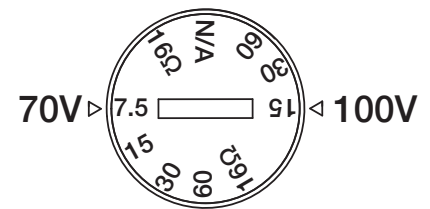
1. Use the template provided to mark and cut a hole (1) in the ceiling where the loudspeaker is to be installed. For frame-construction ceiling, skip to “Wire the Loudspeakers”.
2. Install two V-rails (2), one on each side of the hole, and supported by the suspended-ceiling support rails (3).
3. Install the C-ring (4) over the hole, using the V-rails as support. Make sure the clips on the C-ring are properly fitted over the V-rail.
4. Use sheet-metal screws (5) to secure the C-ring to the V-rails.



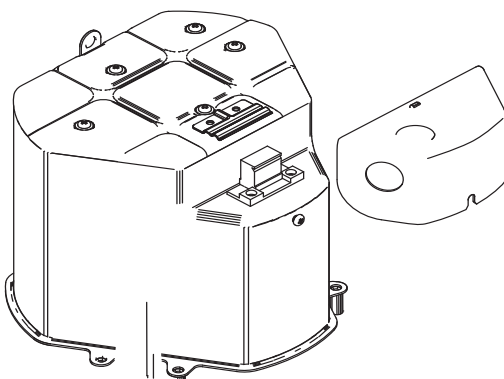
- Figure 1. -

## Wire the Loudspeakers

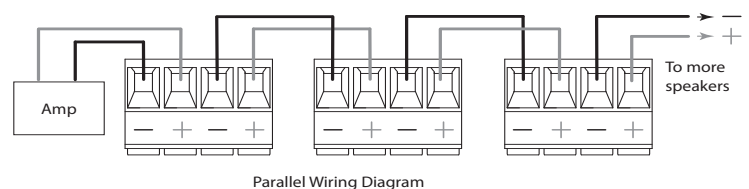
1. Set the transformer tap switch located under the grille for the desired wattage setting or  $16\Omega$  for low impedance operation as shown in Figure 2.
2. Back out the conduit covers Phillips retaining screw to its stop point and pull the conduit cover straight out to remove as shown in Figure 3.
3. Pass the wires through the conduit/stress-relief clamp, leaving enough wire for making connections. Carefully tighten the clamp over the wires, or over the conduit if used.
4. Wire the female Euro-style plug as shown in Figure 4.
5. Plug the connector securely into the receptacle.
6. Reattach the conduit cover and secure with the Phillips retaining screw.



- Figure 2. -



- Figure 3. -

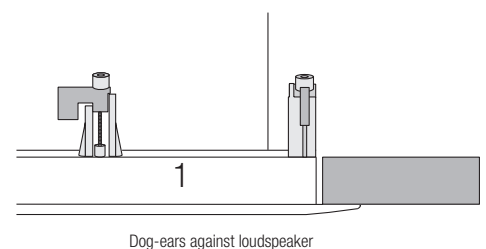


- Figure 4. -

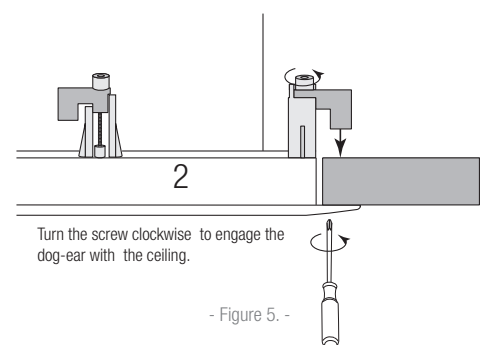
## Mount the Loudspeaker

Refer to Figure 5.

1. Make sure all of the dog-ears are fully extended and in their non-capture position.
2. Position the loudspeaker into the hole prepared in the ceiling.
3. Use a Phillips screwdriver to tighten each of the three dog-ear screws. As you tighten the screws, the dog-ears will swing into capture position over the ceiling. Be sure all dog-ears are properly positioned over the ceiling.
4. Tighten the dog-ears until firm contact is made with the ceiling surface.



Dog-ears against loudspeaker



Turn the screw clockwise to engage the dog-ear with the ceiling.

- Figure 5. -



**CAUTION!** Do not overtighten the dog-ear screws! Insert the grille safety tether grommet into supplied hole on the loudspeaker baffle and install the grille.

# Specifications

## AD-C6T-LP

LF Transducer	165 mm [6.5 in] weather resistant paper cone woofer
HF Transducer	25 mm [1 in] aluminum dome tweeter
Rated noise power [Wrms] <sup>1</sup>	60
Nominal Impedance [ohms]	16
Transformer Taps	70V: 60, 30, 15, 7.5 W 100V: 60, 30, 15 W
Effective frequency range <sup>2</sup>	65 Hz – 20 kHz
Rated coverage (-6 dB) [°] <sup>3</sup>	140° conical DMT
Directivity factor	6.5
Directivity index [dB]	8
Sensitivity [dB] <sup>4</sup>	88
Maximum continuous SPL [dB] <sup>5</sup>	106
Maximum peak SPL [dB] <sup>5</sup>	112
Enclosure material	ABS baffle on powder coated steel back can
Grille material	Powder coated steel
Cutout dimension	Ø 305 mm [Ø 12 in]
Net weight	4.2 kg [9.3 lb]
Product dimensions (Diameter x Height)	Ø 340 x 100 mm [Ø 13.39 x 3.94 in.]
Shipping weight	13.3 kg [29.3 lb] (pair packed)
Shipping dimensions (H x W x D)	178 x 864 x 470 mm [7 x 34 x 18.5 in] (pair packed)

<sup>1</sup> IEC noise, 2hrs

<sup>2</sup> -10dB from rated sensitivity

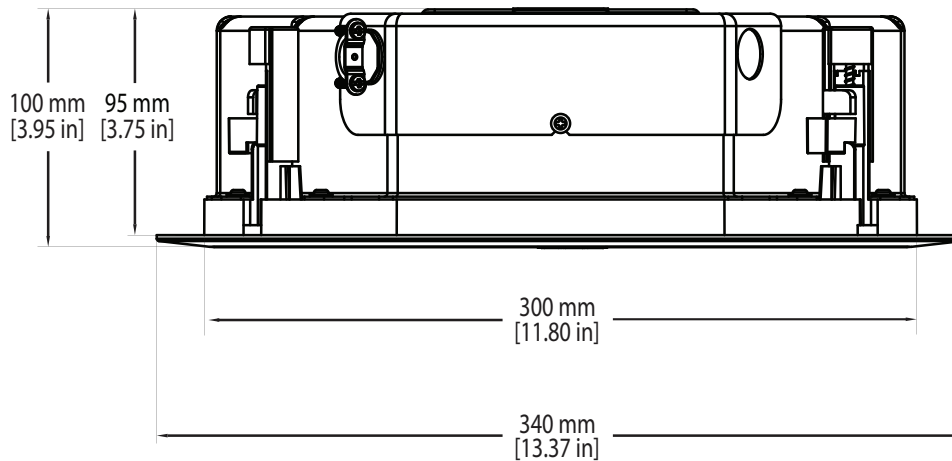
<sup>3</sup> 500 Hz–5 kHz average

<sup>4</sup> Transformer bypassed, 1W, 1m, IEC baffle, 200-10kHz average, on-axis

<sup>5</sup> Calculated from rated noise voltage and sensitivity

# Dimensions

## AD-C6T-LP



### Mailing Address:

QSC, LLC  
1675 MacArthur Boulevard  
Costa Mesa, CA 92626-1468 USA

### E-mail:

info@qsc.com  
service@qsc.com  
tech\_support@qsc.com

### Telephone Numbers:

Main Number: +1.714.754.6175  
Sales & Marketing: +1.714.957.7100 or toll free (USA only) +1.800.854.4079  
Customer Service: +1.714.957.7150 or toll free (USA only) +1.800.772.2834

### Fax Numbers:

Sales & Marketing FAX: +1.714.754.6174  
Customer Service FAX: +1.714.754.6173

**QSC**  
qsc.com