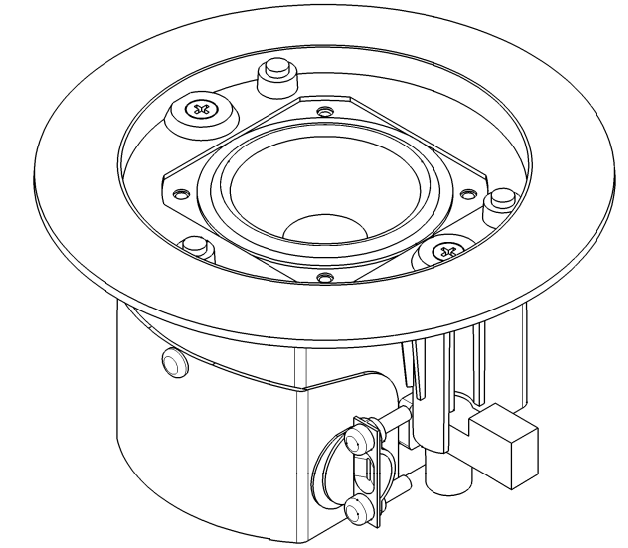


REV		DESCRIPTION	BY	DATE
A	INITIAL RELEASE		ES	18-JUN-18

3X GRILLE-MOUNT MAGNETS

Ø 149.6
[5.89]

3 2X LOUDSPEAKER MOUNTING SCREWS



4.9
[0.19]

3 2X 44.0
[1.73]

83.4
[3.28]

76.3
[3.00]

CABLE CLAMP

Ø 16.1 CLAMP-WIRE ENTRY POINT
[0.63]

3 2X MOUNTING CLAMPS

Ø 8.0
[0.32]

SEISMIC MOUNTING TAB

4. RECOMMENDED CEILING CUTOUT: Ø 115.0 MM [4.5 INCH].

3 MOUNTING CLAMP MAXIMUM MATERIAL THICKNESS: 44.0MM [1.7 INCH].

2. GRILLE NOT SHOWN FOR CLARITY.

1. NET WEIGHT APPROX. 0.63 KG [1.39 LBS].

NOTES: UNLESS OTHERWISE SPECIFIED.

UNLESS OTHERWISE SPECIFIED DIMENSIONS ARE IN MM [IN]	
TOLERANCES ARE:	
DECIMALS	ANGLES
X ± 3 [.12]	± 1°
MATERIAL	N/A
FINISH	N/A
DO NOT SCALE DRAWING	
PROJECTION SYMBOL	

CAD GENERATED DRAWING DO NOT MANUALLY UPDATE	
APPROVALS	
DRAWN BY	B. SHASTRI
MECH ENGINEER	B. HAWKINS
TECH DIRECTOR	J. HALLEY
MFG ENG	M. JEN

QSC QSC, LLC		1675 MACARTHUR BOULEVARD COSTA MESA, CA 92626 USA	
FINISHED GOOD, LOUDSPEAKER, AD-C.SAT, 2.5" CEILING			
SIZE	CAGE CODE	DWG. NO.	REV
B	00PW4	FG-901249-2D	A
SCALE: 1:2	CAD FILE: FG-901249-2D.A.2	SHEET: 1 OF 1	