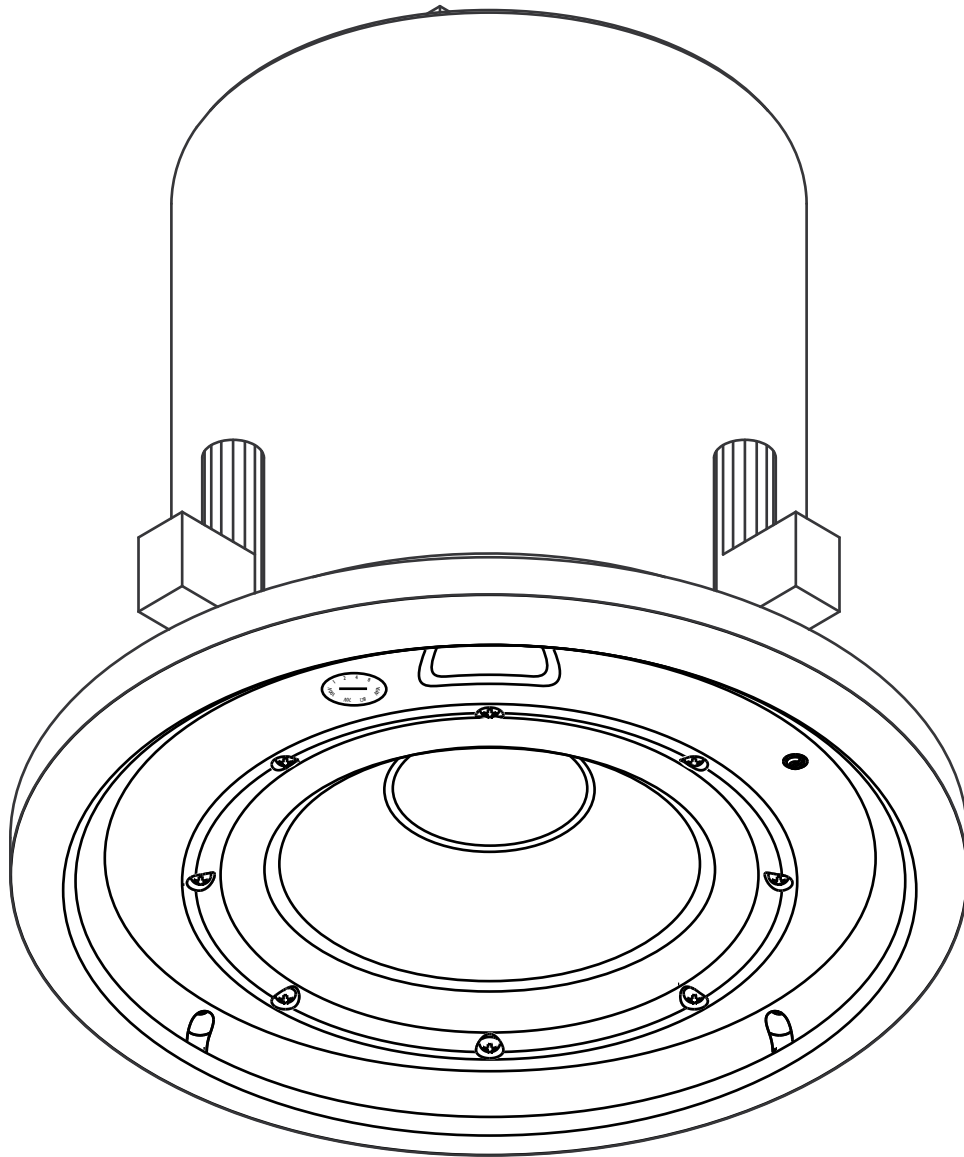


# AcousticCoverage (AC)

## User Manual

---

Model AC-C4T



TD-000432-00-C



# EXPLANATION OF SYMBOLS

The term **WARNING!** indicates instructions regarding personal safety. Failure to follow these instructions could result in bodily injury or death.

The term **CAUTION!** indicates instructions that prevent damage to physical equipment. Failure to follow these instructions could cause damage to the equipment that may not be covered under the warranty.

The term **IMPORTANT!** indicates instructions or information that are vital to the successful completion of the procedure.

The term **NOTE** is used to indicate additional useful information



The lightning flash with arrowhead symbol in a triangle indicates that there is uninsulated dangerous voltage within the product's enclosure that may cause electric shock to a person.



The exclamation point within a triangle indicates important safety, operating, and maintenance information..



## IMPORTANT SAFETY INSTRUCTIONS



- Read these instructions and keep a copy for future reference. Strictly follow and heed all instructions and warnings. Install the loudspeaker only as instructed.
- Do not use or submerge this loudspeaker in or near water or liquids.
- Clean only with a dry cloth. Do not use any aerosol spray, cleaner, disinfectant or fumigant on, near, or into the loudspeaker.
- Do not install the loudspeaker near any heat sources, such as radiators, heat registers, stoves, or other apparatus (including amplifiers).
- Do not use any attachments, accessories, mounts, or brackets that are not specified or approved by QSC, LLC.
- Refer all service to qualified personnel. Service is required if the mounting mechanism or loudspeaker have been damaged in any way, such as liquid spilled into the loudspeaker; objects falling into it; exposure to rain or moisture; abnormal operation; or being dropped.
- Observe all applicable local codes. Consult a licensed professional engineer when devising an equipment installation to ensure compliance.

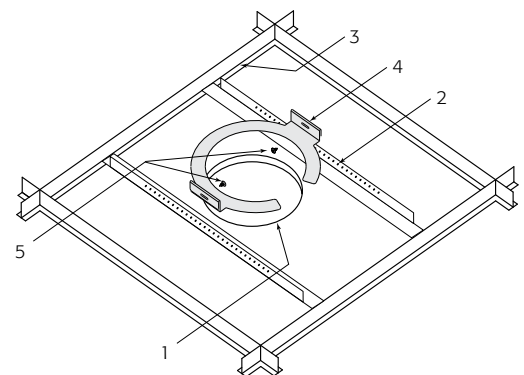
## Maintenance and Repair

Advanced technology—e.g., the use of modern materials and powerful electronics—requires specially adapted maintenance and repair methods. To avoid subsequent damage to the equipment, personal injury, and/or creation of additional safety hazards, have all maintenance or repair work on the equipment performed only by a QSC authorized service station or an authorized QSC international distributor. QSC is not responsible for any injury, harm, or related damages that arise from any failure of the customer, owner, or user of the equipment to facilitate those repairs.

## Prepare the Ceiling

Refer to Figure 1.

1. Use the template provided to mark and cut a hole (1) in the ceiling where the loudspeaker is to be installed. For frame-construction ceiling, skip to *Wire the Loudspeakers*.
2. Install two V-rails (2), one on each side of the hole and supported by the suspended-ceiling support rails (3).
3. Install the C-ring (3) over the hole using the V-rails as support. Make sure the clips on the C-ring are properly fitted over the V-rail.
4. Use sheet-metal screws (5) to secure the C-ring to the V-rails.



– Figure 1 –

## Wire the Loudspeakers

Refer to Figure 2.

1. Pass the wires down through the conduit/stress-relief clamp. Keep enough slack for making connections. Carefully tighten the clamp over the wires, or over the conduit if it is used.
2. Wire the female Euro-style plug (1) as shown in Figure 3.
3. Slide the cover (4) over the connector and secure with the Phillips screw.

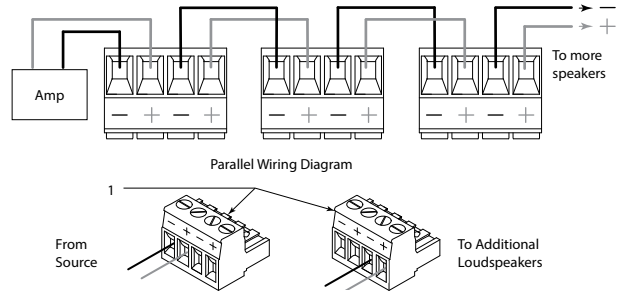
# Seismic Safety

Refer to Figure 4.

1. Attach an appropriate safety line to the safety tab on the back of the connector cover. Secure the line to an appropriate part of the structure.



**WARNING!:** Adhere to local building codes for seismic requirements.



– Figure 2 –

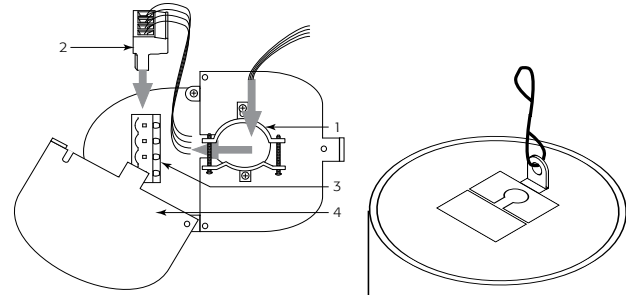
# Mount the Loudspeaker

Refer to Figure 5.

1. Make sure all of the dog-ears are up against the side of the metal loudspeaker housing.
2. Slide the Loudspeaker Housing up through the hole into the ceiling.
3. Use a Phillips screwdriver to tighten each of the four dog-ear screws.



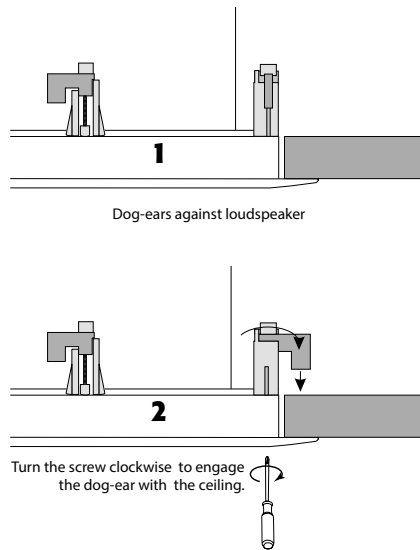
**CAUTION!:** Tighten the dog-ear screws only until they are snug and support the loudspeaker securely. Do not overtighten!!



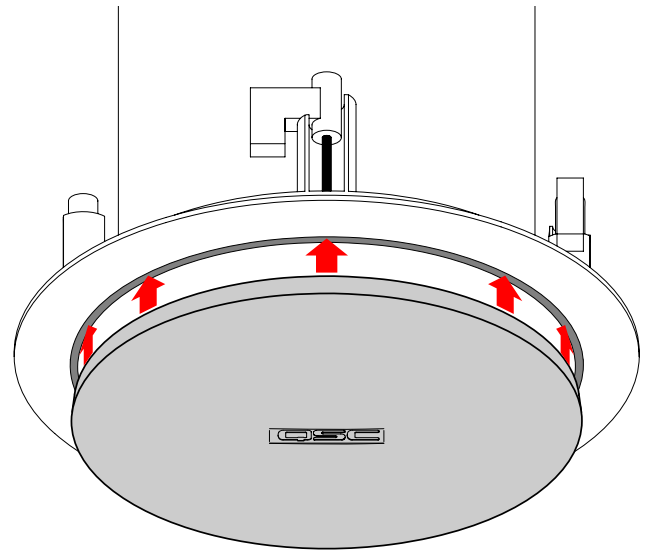
– Figure 3 –

– Figure 4 –

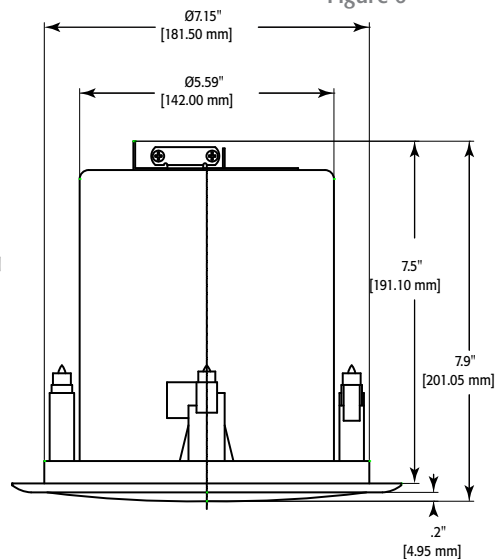
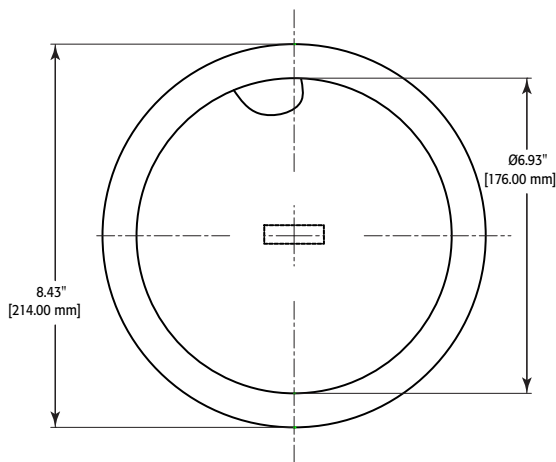
4. Use a flat-tip screwdriver to set the transformer tap based on the requirements of the installation.
5. To install the loudspeaker grille, insert the edge of the grille all the way around and evenly into the slot (Figure 6). Then press it into place until it is secure.



– Figure 5 –



– Figure 6 –





**Mailing Address:**

QSC, LLC  
1675 MacArthur Boulevard  
Costa Mesa, CA 92626-1468 USA

**Telephone Numbers:**

Main Number: +1 (714) 754-6175  
Sales & Marketing: +1 (714) 957-7100 or toll free (USA only) (800) 854-4079  
Customer Service: +1 (714) 957-7150 or toll free (USA only) (800) 772-2834

**Facsimile Numbers:**

Sales & Marketing FAX: +1 (714) 754-6174  
Customer Service FAX: +1 (714) 754-6173

**World Wide Web:**

[www.qsc.com](http://www.qsc.com)

**E-mail:**

[info@qsc.com](mailto:info@qsc.com)  
[tech\\_support@qsc.com](mailto:tech_support@qsc.com)

**QSC Self-Help Portal**

Access our Self-Help Portal for additional information, FAQs, and documents.  
You may also register or login to open a case with QSC Technical Services.  
<https://qscprod.force.com/selfhelpportal/s/>