



## AcousticCoverage™ Series

### AC-C2T-LP

Full-range, ceiling mount  
loudspeaker

#### Features

- Low-profile enclosure ensures no obstructions during installation
- High-quality 2.75" full-range transducer provides a natural rise in high frequency extension
- Ported baffle for increased low frequency extension down to 75 Hz
- Low saturation 70/100 V transformers with 8  $\Omega$  bypass
- 4 pole Euroblock connector eases system wiring
- Intrinsic Correction™ voicings available via Q-SYS Ecosystem and QSC processing amplifiers
- White (RAL 9010) with UV inhibitors to match complimenting QSC product families.
- Complete EASE, CAD & BIM information available online



#### Wide Area Paging · Background Music · Distance Conferencing Reinforcement · Healthcare Facilities · Concourses · Transportation Terminals · Ancillary Support in Larger Systems

The QSC AcousticCoverage™ Series AC-C2T-LP is a low-profile, ceiling-mounted 2.75" full-range loudspeaker with 70/100 V transformer, suitable for a wide variety of AV conferencing reinforcement, voice paging and background music applications.

AcousticCoverage™ Series is designed to offer integrators a cost-effective solution for applications where voice-reinforced coverage is of primary concern, while providing musicality not often seen in typical BGM class products.

A high quality 2.75" weather-treated paper cone transducer provides a natural rise in high frequency extension for greater clarity in high ambient noise environments. With 170° of conical coverage, the AC-C2T-LP reduces the number of loudspeakers required for even coverage in low ceiling applications.

The easy-to-install blind mount assembly features a ported baffle which optimally tunes the powder coated steel backcan for added musicality, creating low frequency extension down to 75 Hz. To maintain this frequency response, the AC-C2T-LP utilizes a variable tap 16 W low saturation and low loss 70/100 V transformer, accessible under the powder coated steel grill via a rotary selector which also includes an 8  $\Omega$  bypass setting.

To further speed the install process while obtaining optimal results, Intrinsic Correction™ voicings are easily deployed via Q-SYS Ecosystem and QSC processing amplifiers.

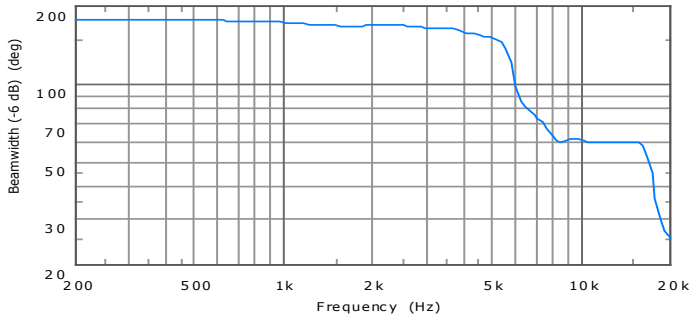
Installers will appreciate the 4 pole Euroblock connector for loop thru wiring, located under a quick access swivel plate. Eliminating the termination hassles of star topology wiring designs, the generous Euroblock of the AC-C2T-LP can accept four 18AWG pairs.

A safety tether tab is affixed to the adjustable conduit clasp plate for seismic sensitive installations. C-ring and tile rails are included with each pair packed assembly, complete with joining screws and cut-out template.

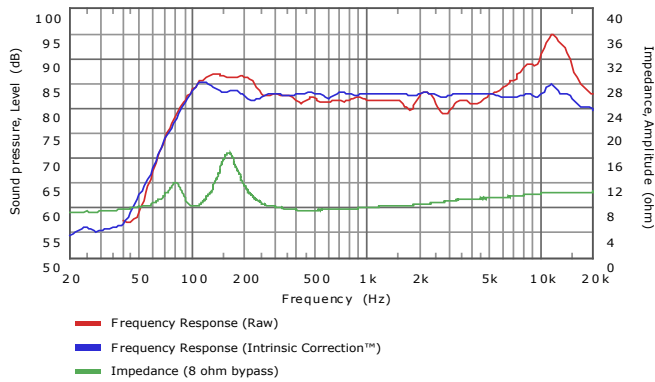
The AC-C2T-LP baffle and grill are QSC standard white (RAL 9010) to match complimenting QSC product families and includes UV inhibitors to prevent discoloration over time. The AC-C2T-LP may also be painted to match any décor.

# AC-C2T-LP Details

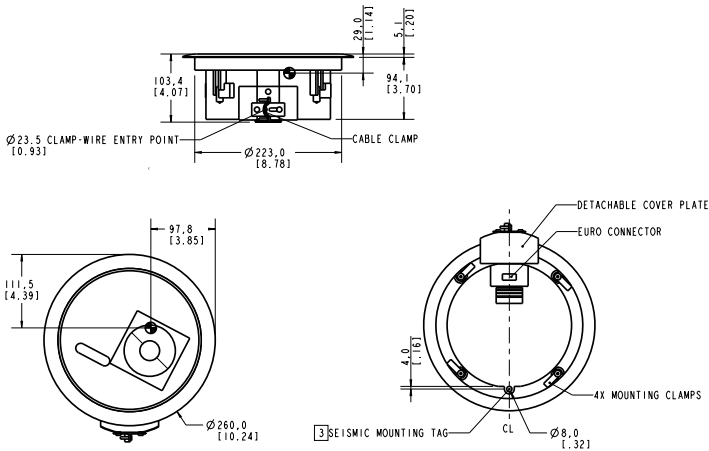
## Beamwidth:



## Impedance / Frequency Response:



## Dimensions:



## Specifications

System Details	AC-C2T-LP
Transducer	2.75 in (70 mm), weather-treated paper cone
Effective frequency range <sup>1,2,3,8</sup>	75 Hz – 20 kHz
Broad-band sensitivity <sup>2,3,4,8</sup>	84 dB
Rated noise power/voltage <sup>6</sup>	16 W / 11.3 V RMS
Coverage angle (-6 dB) <sup>2,5,8</sup>	170°
Directivity index <sup>2,5,8</sup>	4 dB
Directivity factor <sup>2,5,8</sup>	2.5
Maximum SPL (continuous / peak) <sup>7</sup>	96 / 102 dB
Rated impedance	8 $\Omega$
Transformer taps	70 V: 16, 8, 4, 2, 1 W and 8 $\Omega$ bypass 100 V: 16, 8, 4, 2, W and 8 $\Omega$ bypass
Input connector type	Euroblock connector with parallel output terminals
Baffle material	ABS polymer
Grille material	Powder coated steel
Back can material	Powder coated steel
Testing	Listed UL1480, UL2043 safe for use in air handling space
Net weight	4.2 lb (1.9 kg)
Product dimensions	10.35 x 3.82 in (263 x 97 mm)
Cut-out dimensions	9 in (229 mm)
Ceiling capture thickness	0.25 - 1.5 in (6.35 - 38.1 mm)
Shipping weight	13.8 lb (6.3 kg)
Shipping dimensions (W x D x H)	25.2 x 14.2 x 7.2 in (641 x 362 x 184 mm)
Included accessories	Rails & C-ring for ceiling tile installation

<sup>1</sup> -10 dB from on-axis sensitivity

<sup>2</sup> Half space, 1W, 1m

<sup>3</sup> Reference axis

<sup>4</sup> 200 Hz - 10 kHz average

<sup>5</sup> 500 Hz - 5 kHz average

<sup>6</sup> IEC60268-1 noise signal for 2 Hrs

<sup>7</sup> Calculated from rated noise voltage and sensitivity

<sup>8</sup> Reference plane is the plane coincident with the loudspeaker baffle plane. Reference axis is the axis

perpendicular to the reference plane and passing through the center of the baffle. Vertical plane is the plane intersecting the reference plane at a right angle, including the reference axis and the taps selector knob. Horizontal plane is the plane intersecting the reference plane and the vertical plane at a right angle, including the reference axis. As part of QSC's ongoing commitment to product development, specifications are subject to change without notice.



1675 MacArthur Boulevard • Costa Mesa, CA 92626 • Ph: 800/854-4079 or 714/957-7100 • Fax: 714/754-6174

© 2020 QSC, LLC all rights reserved. QSC and the QSC logo are registered trademarks of QSC, LLC in the U.S. Patent and Trademark office and other countries. AcousticCoverage, Intrinsic Correction and Q-SYS are trademarks of QSC. All other trademarks are the property of their respective owners. Patents may apply or be pending.

AC-C2T-LP Spec Sheet 02/05/2020



please recycle