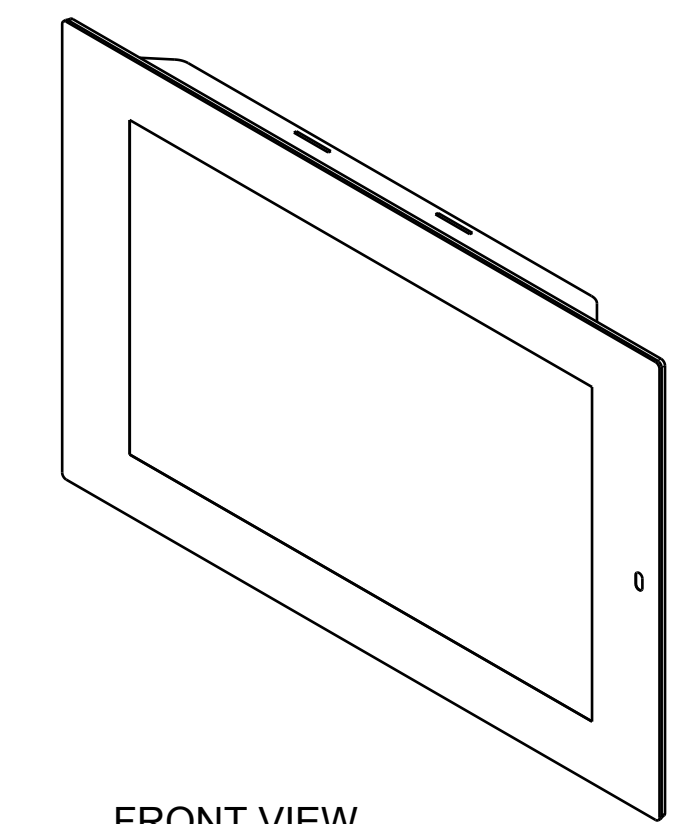
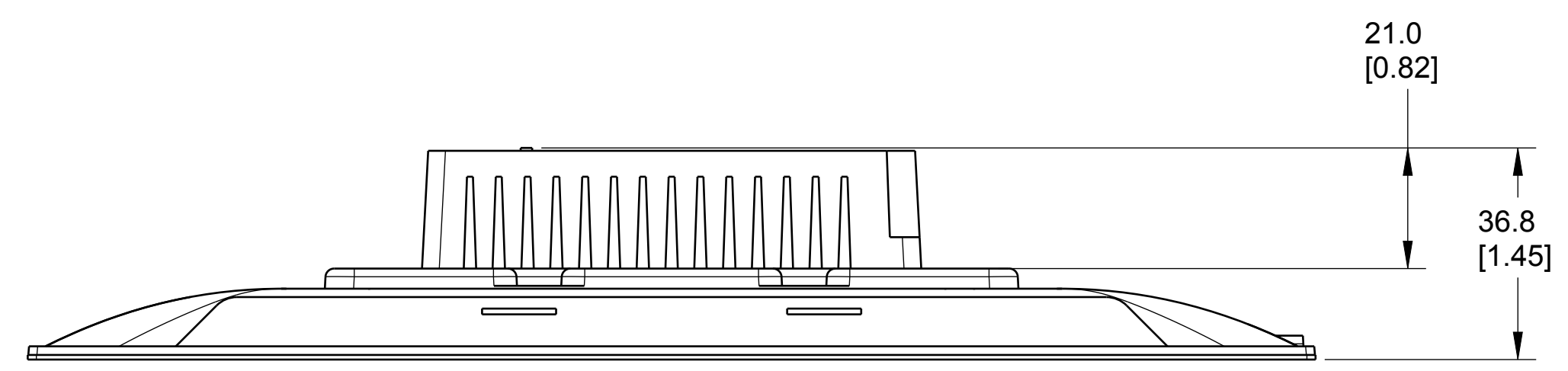
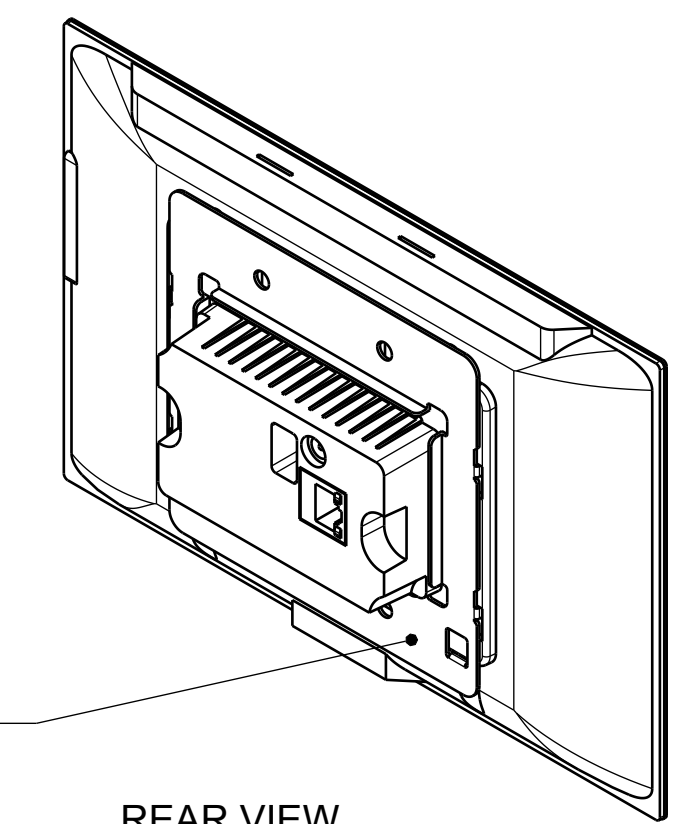


THIS DOCUMENT CONTAINS PROPRIETARY INFORMATION WHICH IS THE PROPERTY OF QSC, LLC. THAT MAY NOT BE DISCLOSED, REPRODUCED OR USED WITHOUT EXPRESS WRITTEN CONSENT FROM QSC, LLC.

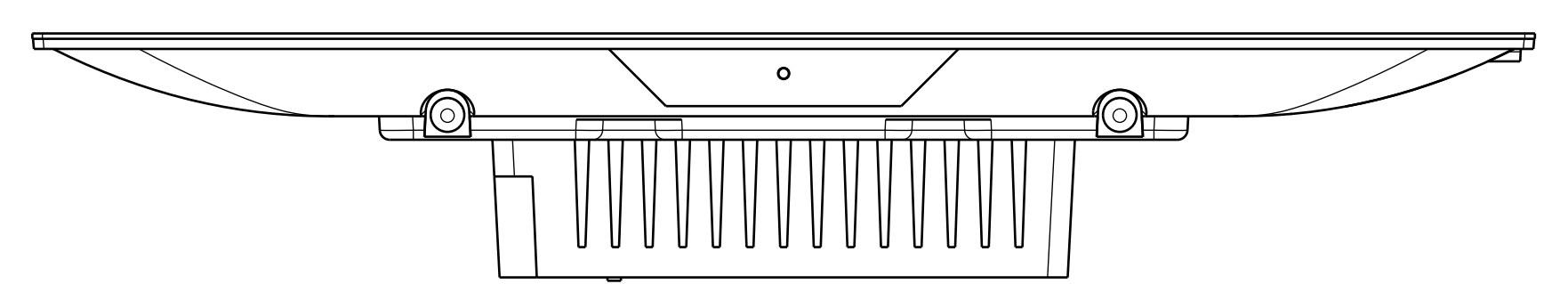
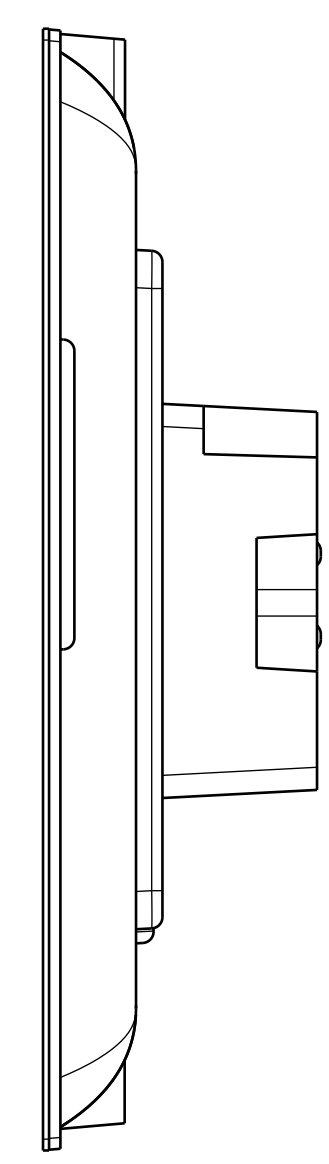
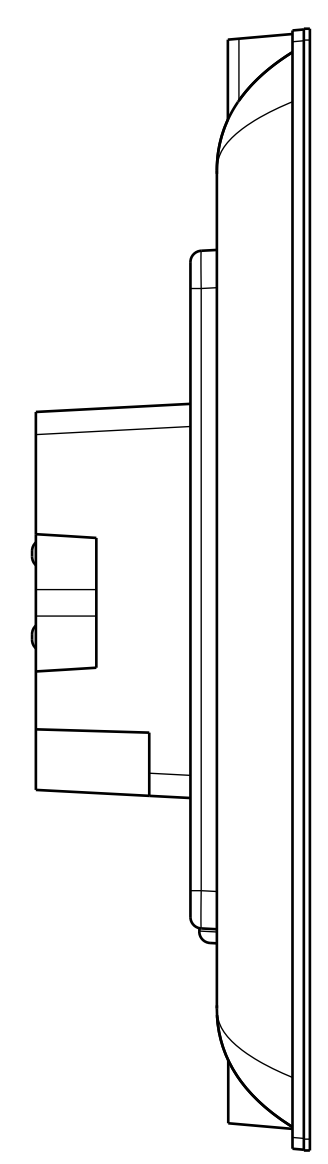
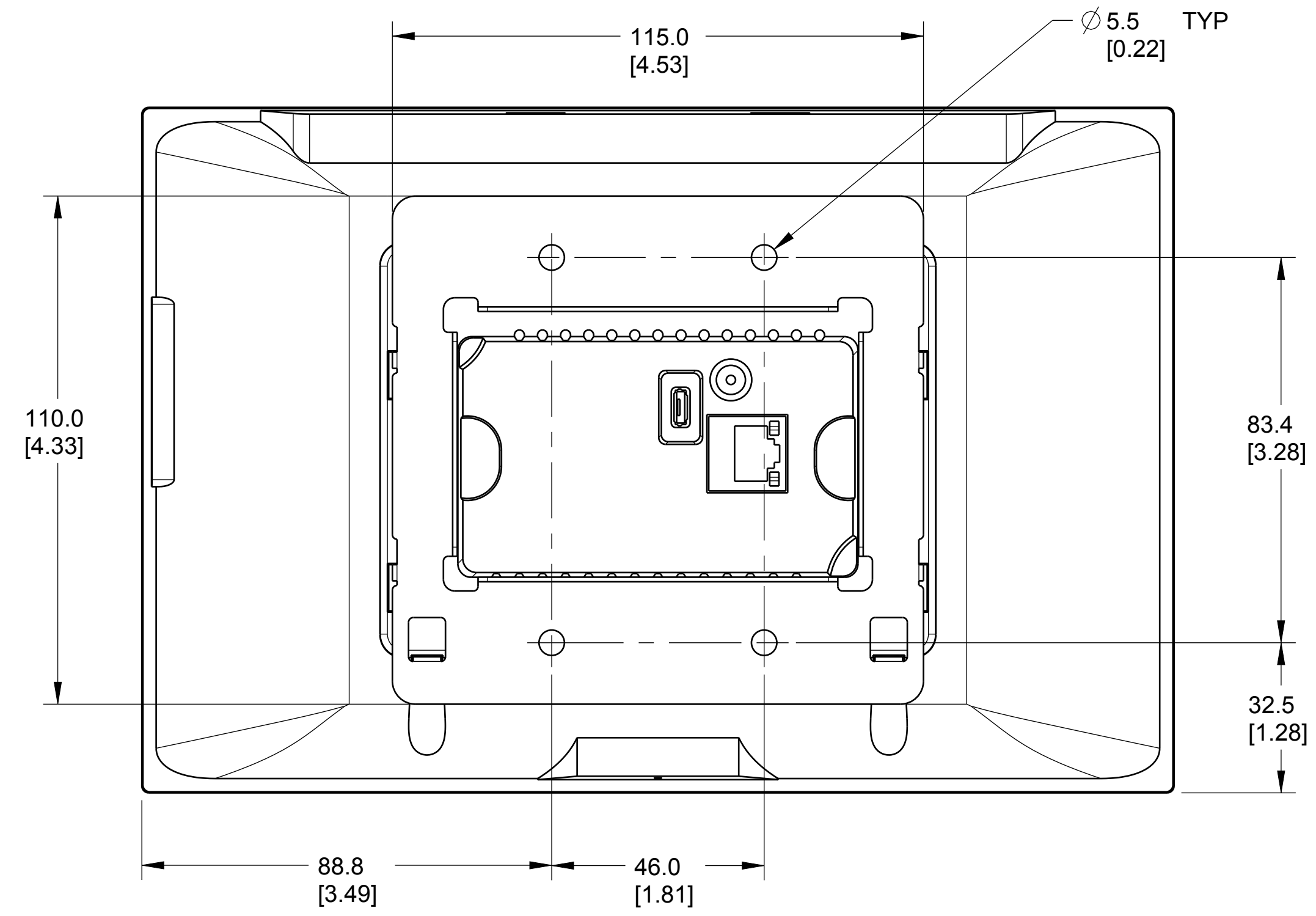
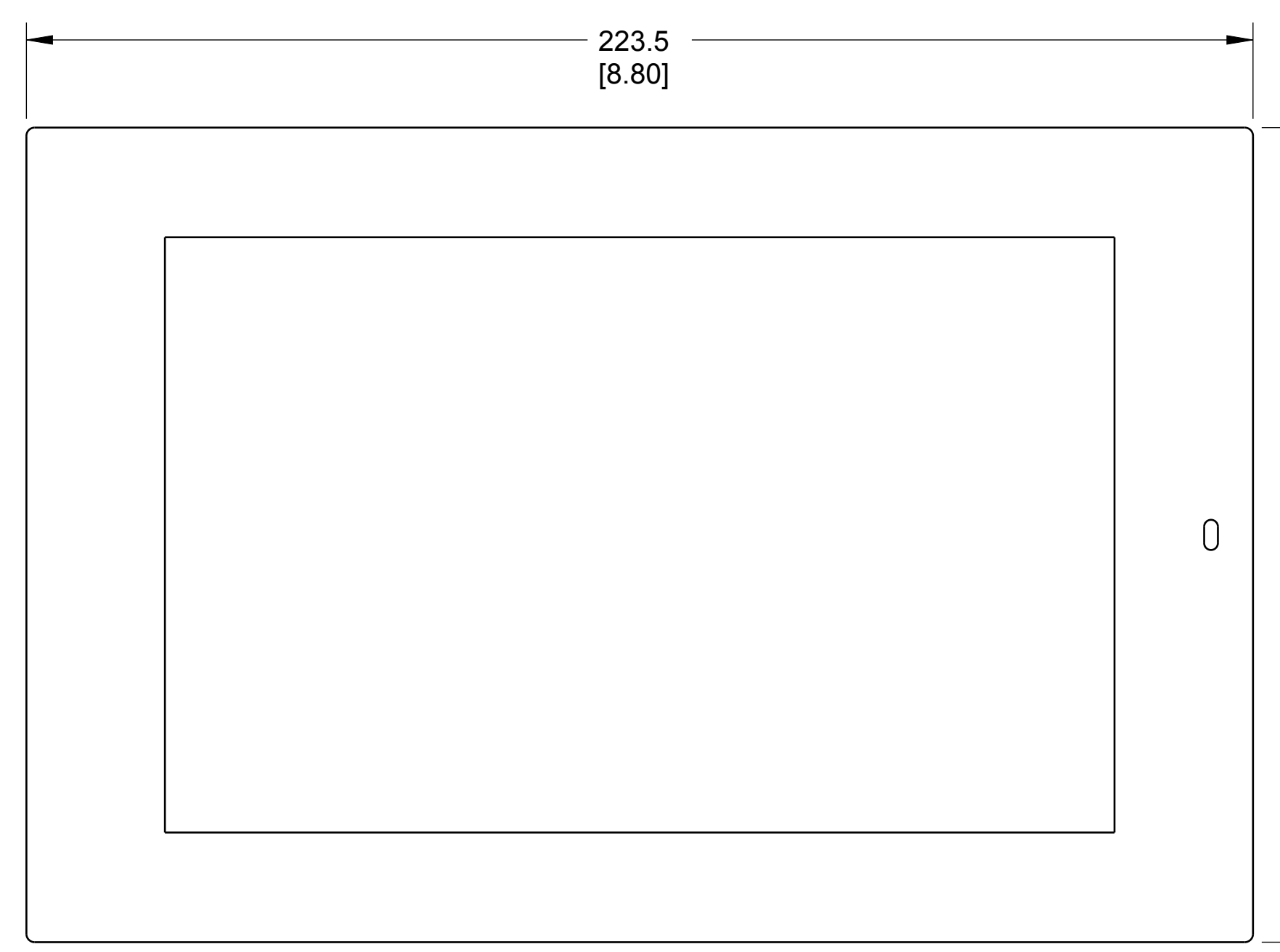
| REVISIONS | | | |
|-----------|---------------------------------|----|-----------|
| REV | DESCRIPTION | BY | DATE |
| A | RELEASE FOR SALES AND MARKETING | ES | 19-DEC-17 |
| | | | |
| | | | |



FRONT VIEW
SCALE 0.500



REAR VIEW
SCALE 0.500



- 4 INSTALL MOUNTING FLANGE TO ELECTRICAL BOX FIRST, THEN ATTACH TOUCH PANEL TO MOUNTING FLANGE.
- 3. DIMENSIONS ARE IN MILLIMETERS [INCH].
- 2. TOLERANCES (MM): X ± 3, ANGLES: ± 1°.
- 1. NET WEIGHT APPROX. 0.50 KG [1.1 LBS].

NOTES: UNLESS OTHERWISE SPECIFIED.

| | | | | | | | |
|---|--|---|--|------------------------------|--------------|---------------------|----------|
| UNLESS OTHERWISE SPECIFIED DIMENSIONS IN MILLIMETERS [IN] TOLERANCES ARE: DECIMALS DECIMALS ANGLES X ± .5[0.2] XX ± .25[0.1] ± 1/2 DEBURR EDGES .25 [0.01] R MAX MATERIAL FINISH | DESIGNER ENG. SERVICES | QSC, LLC 1675 MACARTHUR BOULEVARD COSTA MESA, CA 92626 | PROCESSOR, TSC-80W-G2-BK, Q-SYS 8.0" IN-WALL TOUCH PANEL | SIZE | CAGE CODE | DRAWING NO. | REV |
| | ENGINEER | | | D | 00PW4 | FG-117040-2D | A |
| | TECHNICAL DIRECTOR D. HOCH | SCALE: 1.000 | | DO NOT SCALE DRAWING | SHEET | 1 OF 1 | |
| | MANUFACTURING ENGINEER T. MORGAN | DRAWING INFO: FG-117040-2D.A.0 | | MODEL INFO: FG-117040-3D.A.0 | | | |