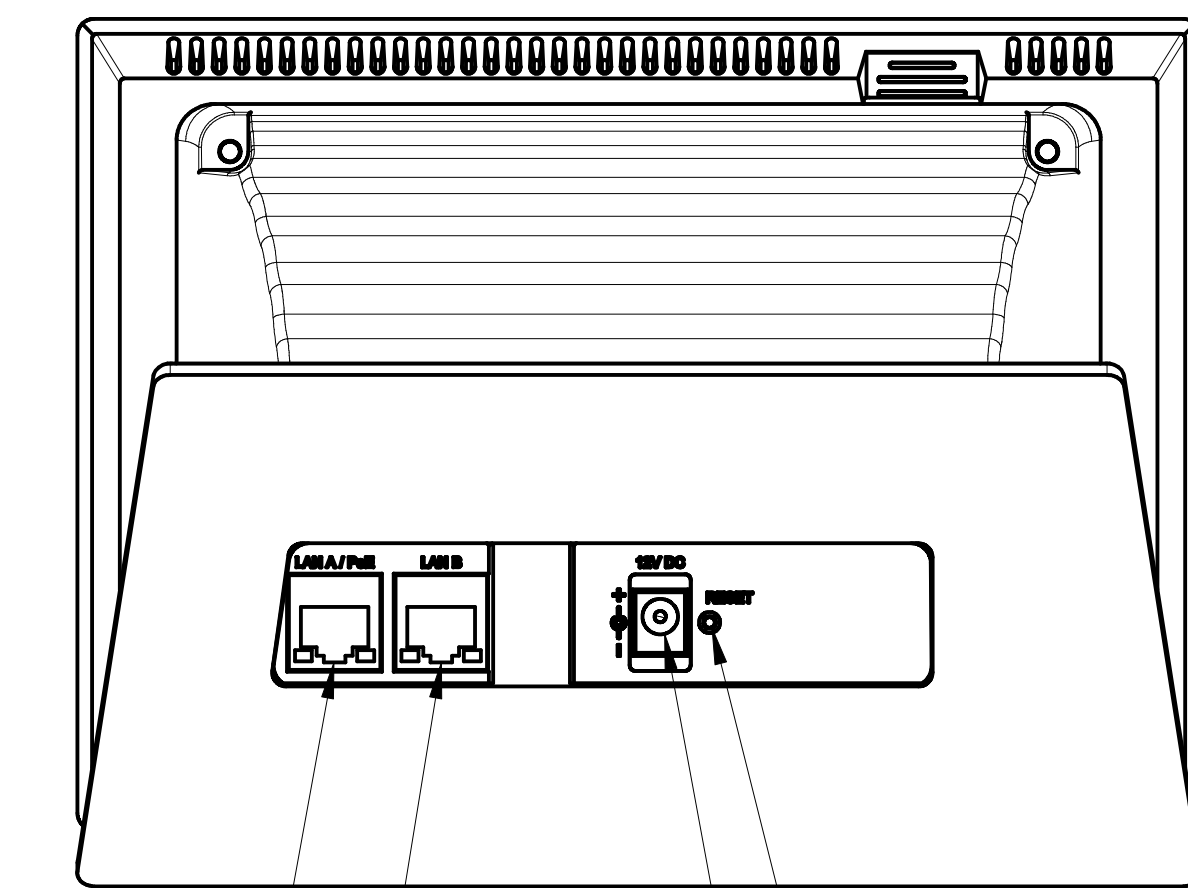


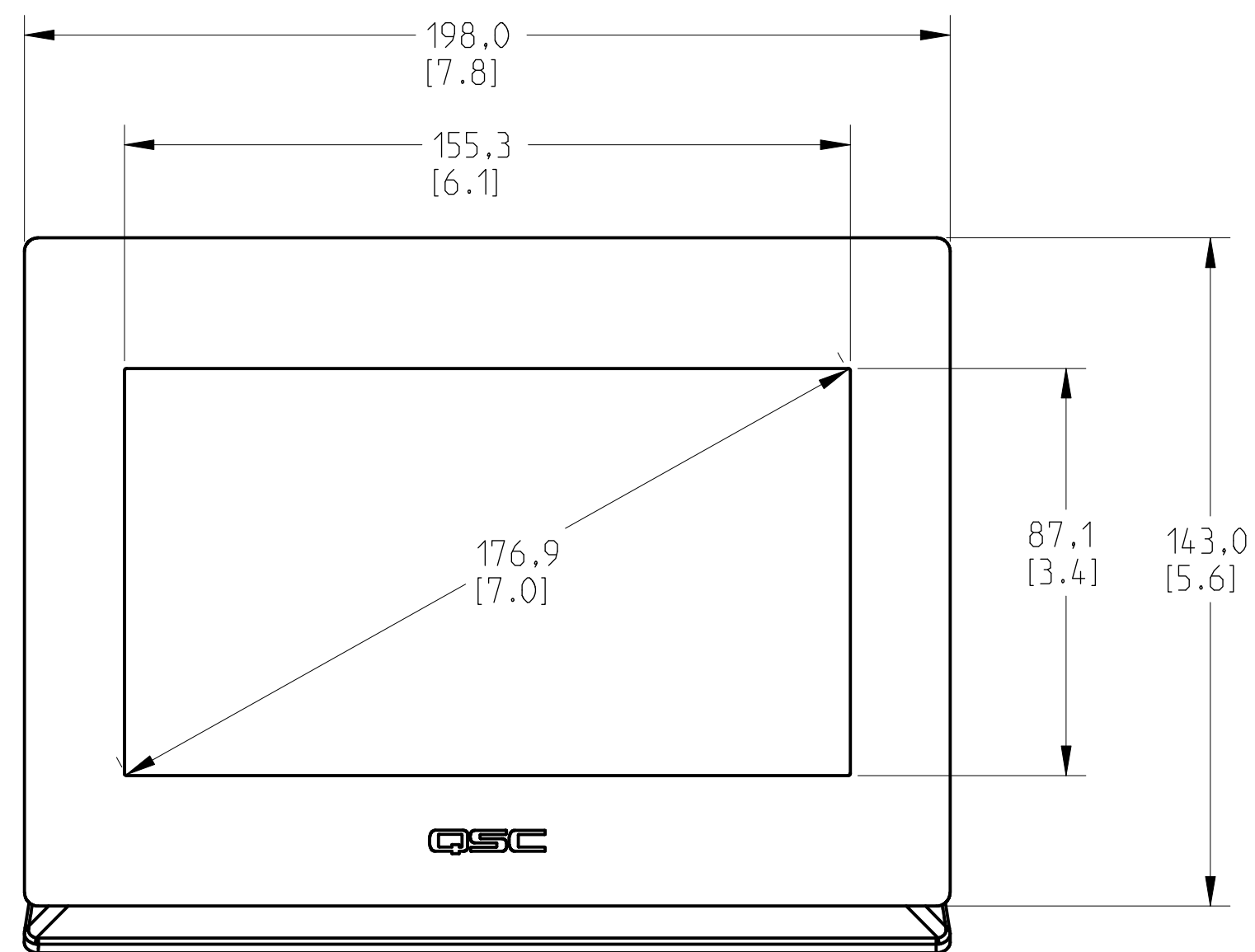
THIS DOCUMENT CONTAINS PROPRIETARY INFORMATION WHICH IS THE PROPERTY OF QSC, LLC. THAT MAY NOT BE DISCLOSED, REPRODUCED OR USED WITHOUT EXPRESS WRITTEN CONSENT FROM QSC, LLC.

REVISIONS			
REV	DESCRIPTION	BY	DATE
A	RELEASE FOR SALES AND MARKETING	SS	22-JUNE-16

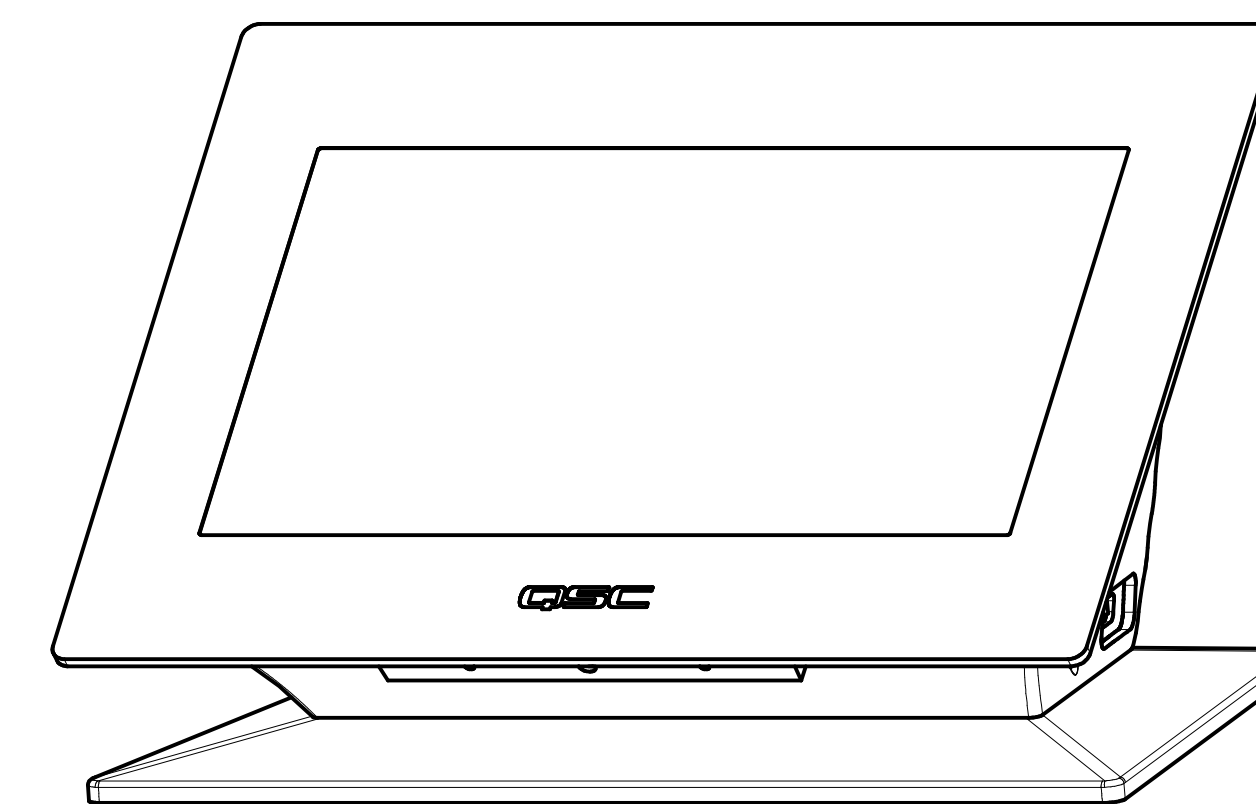


LAN A/PoE
LAN B
SYSTEM RESET
12VDC AUX PWR INPUT

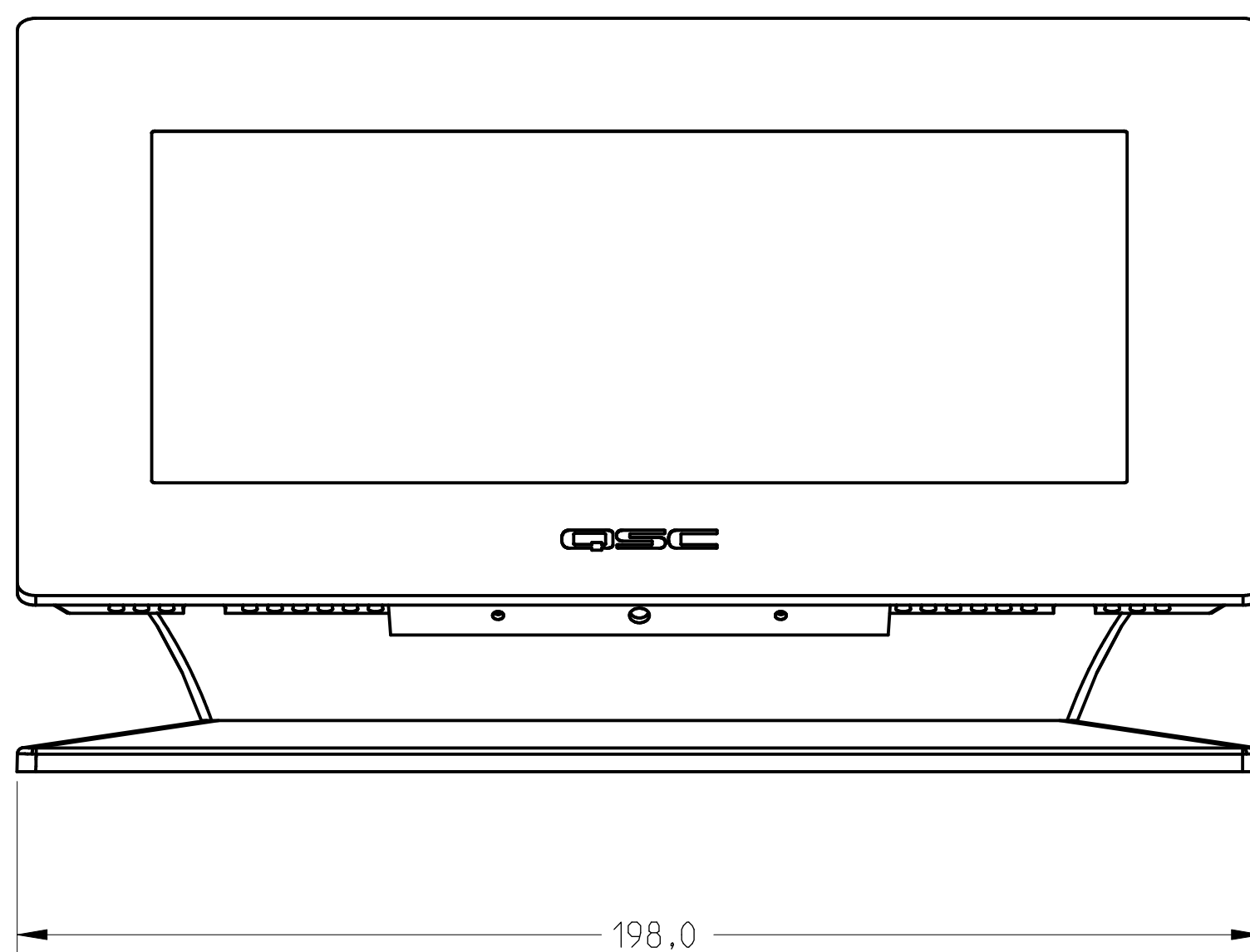
SCALE 0.750
BOTTOM VIEW



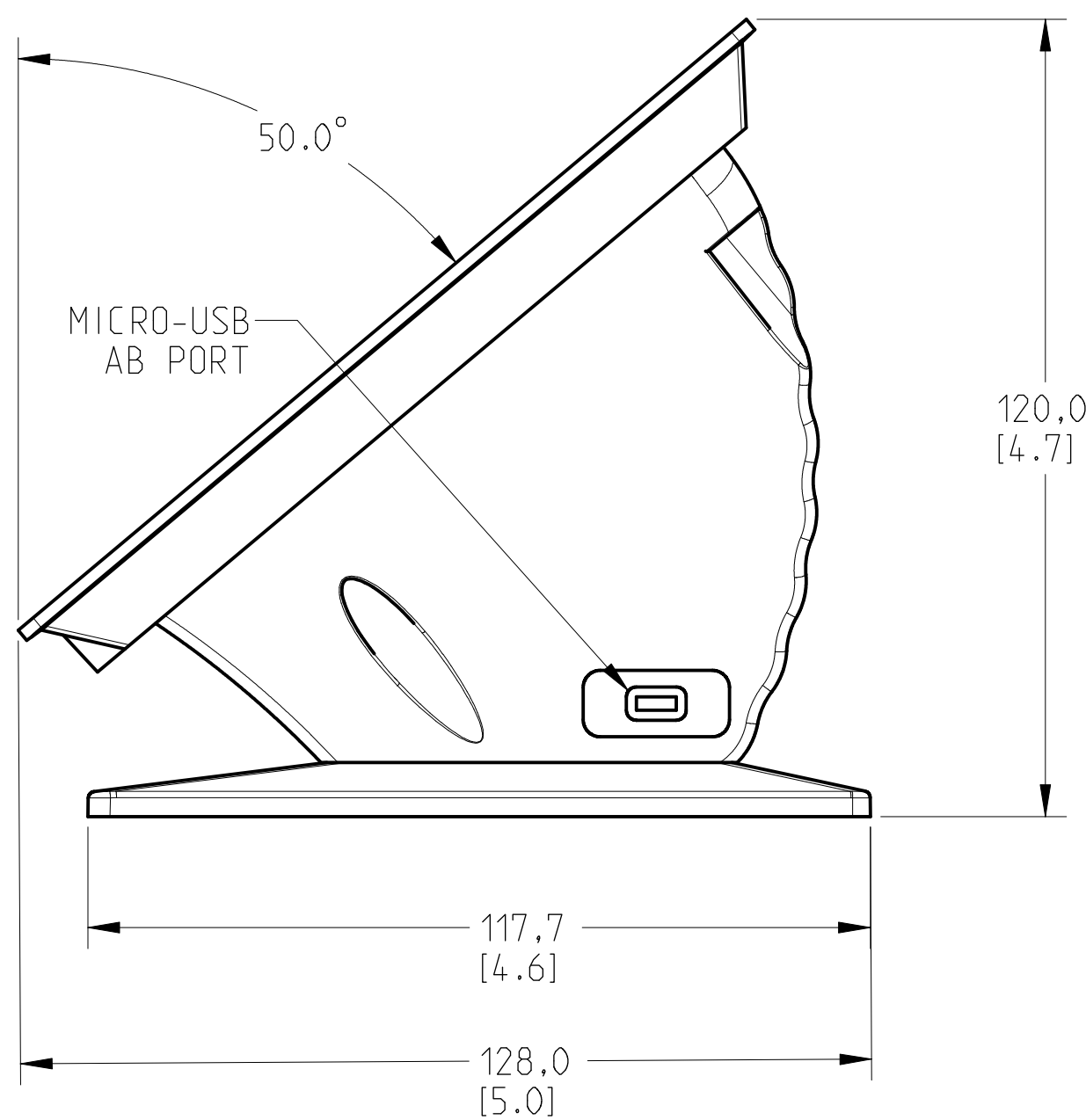
SCALE 0.750
TOP VIEW - LCD



SCALE 0.750



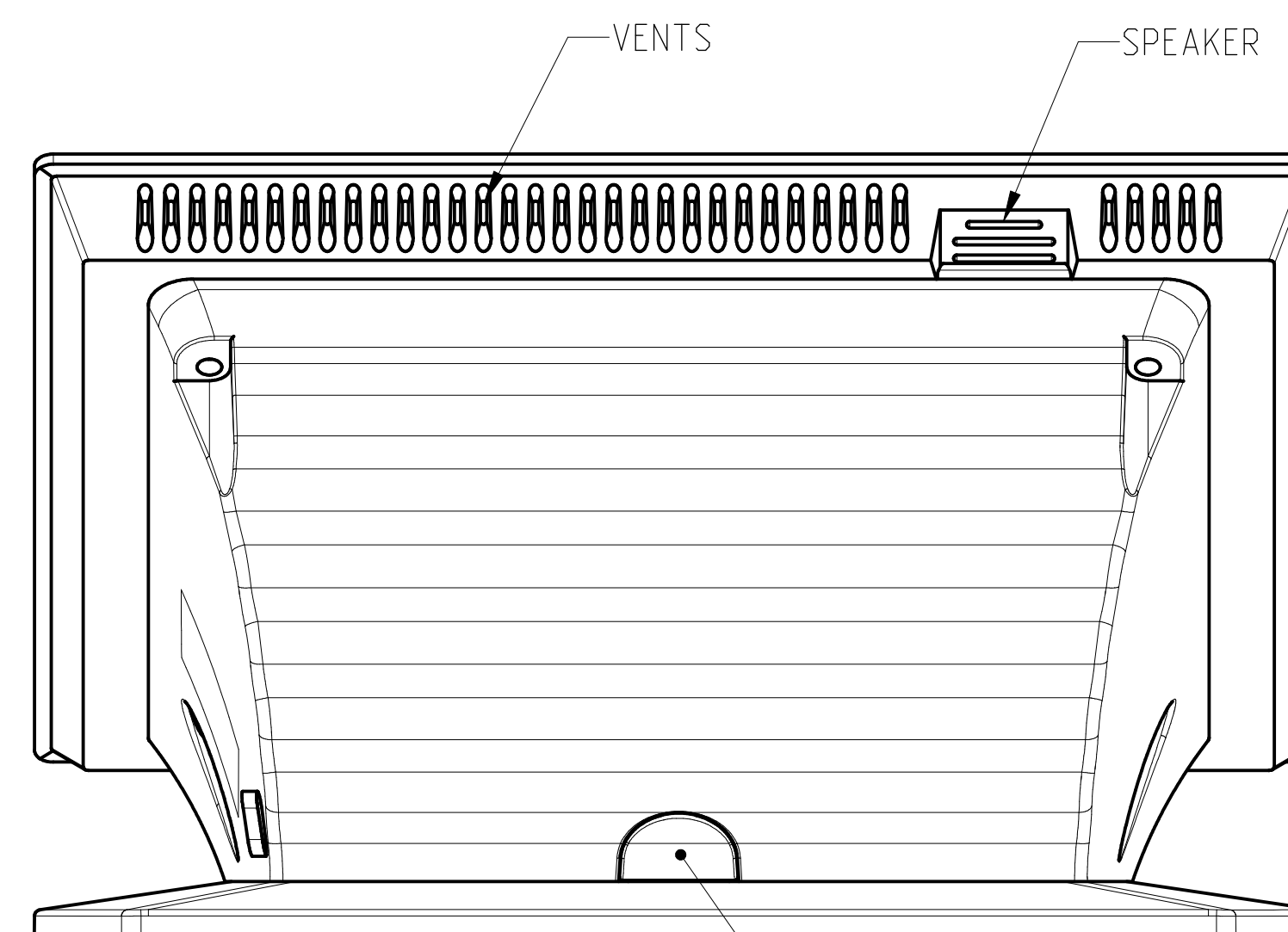
198.0
[7.8]



MICRO-USB AB PORT

117.7
[4.6]

128.0
[5.0]



VENTS

SPEAKER

REMOVABLE COVER FOR WIRE ROUTING

3. DIMENSIONS ARE IN MILLIMETER [INCH].

2. TOLERANCES (IN MM): X ± 3. ANGLE: ±1°.

1. NET WEIGHT APPROX. 1.8 LBS (0.82 KG).

NOTE: UNLESS OTHERWISE SPECIFIED

UNLESS OTHERWISE SPECIFIED DIMENSIONS IN MILLIMETERS (IN) TOLERANCES ARE: DECIMALS DECIMALS ANGLES .X±.5(0.2) .XX±.25(0.01) ± 1/2 DECURR EDGES .25 (1.01) R MAX MATERIAL FINISH	DESIGNER S. STASIAK	QSC QSC, LLC 1675 MACARTHUR BOULEVARD COSTA MESA, CA 92626		
	ENGINEER D. HOCH			
	TECHNICAL DIRECTOR N/A	Q-SYS, FINISHED, TSC-7T		
	MANUFACTURING ENGINEER N/A			
DRAWING INFO: FG-117012-2D-A.1	SIZE D	CAGE CODE 00PW4	DRAWING NO. FG-117012-2D	REV A
MODEL INFO: FG-117012-3D-A.1	SCALE: 1.000	DO NOT SCALE DRAWING	SHEET 1 OF 1	