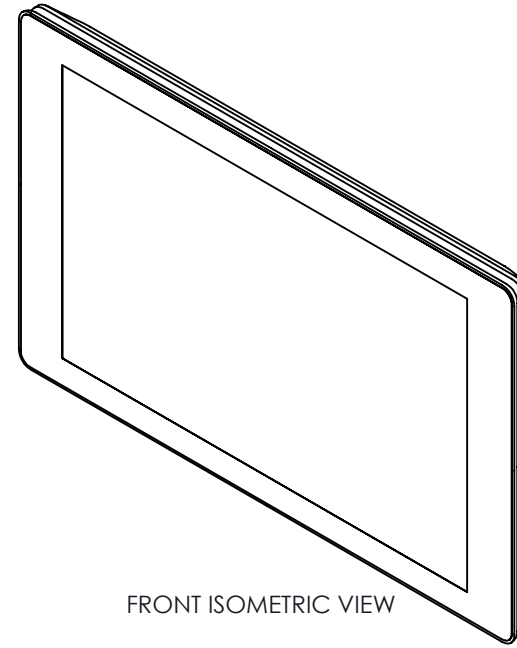
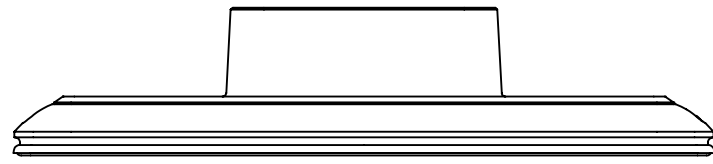


THIS DOCUMENT CONTAINS CONFIDENTIAL OR PROPRIETARY INFORMATION WHICH IS THE PROPERTY OF QSC, LLC THAT MAY NOT BE DISCLOSED, REPRODUCED OR USED WITHOUT EXPRESS WRITTEN CONSENT FROM QSC, LLC. NO PORTION OF THIS DOCUMENT MAY BE REPRODUCED, REDISTRIBUTED, OR OTHERWISE DISCLOSED TO ANY THIRD PARTY WITHOUT QSC'S WRITTEN PERMISSION.

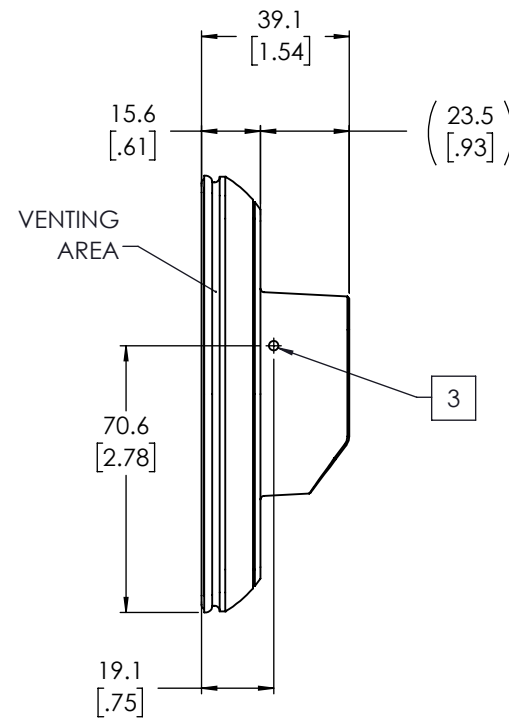
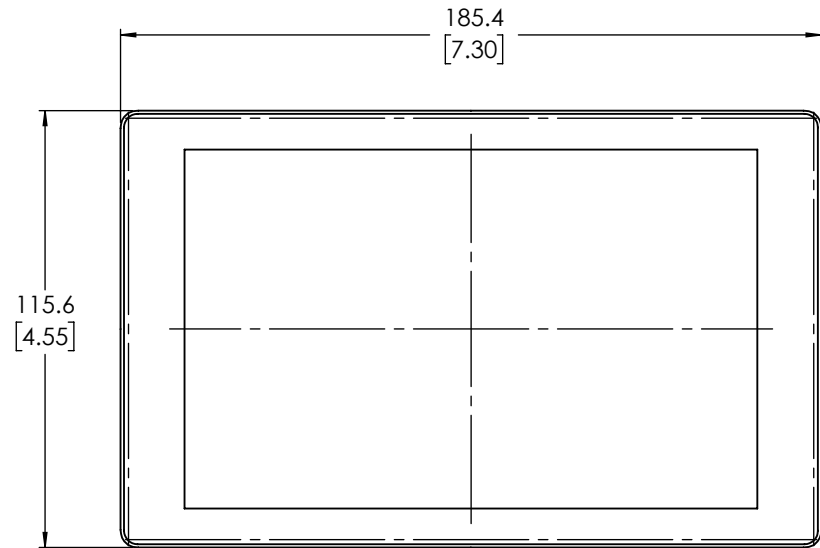
REVISIONS			
REV	DESCRIPTION	BY	DATE
A	INITIAL RELEASE	SS	06-DEC-2021

NOTES: UNLESS OTHERWISE SPECIFIED

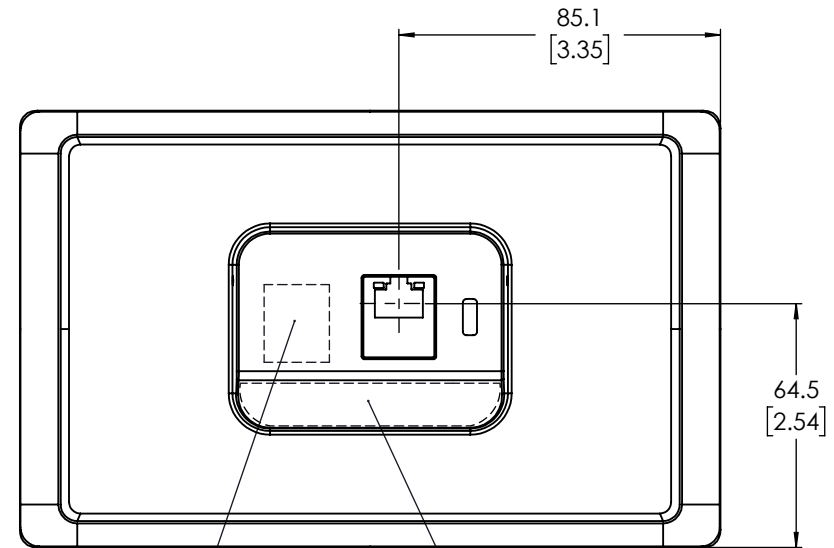
- NET WEIGHT APPROXIMATELY 0.53 KG [1.2 LBS], (0.59KG [1.3 LBS] WITH MOUNTING BRACKET)
- PARTS ARE SYMMETRICAL ABOUT CENTER LINES UNLESS OTHERWISE NOTED.
- M2.5 SECURITY SCREW LOCATION WHEN USED WITH MOUNTING BRACKET.



FRONT ISOMETRIC VIEW



TYPICAL VIEW BOTH SIDES



MAGNETIC DOCKING AREA VENTING AREA

TOUCHSCREEN CONTROLLER

UNLESS OTHERWISE SPECIFIED DIMENSIONS ARE IN MM [IN] TOLERANCES ARE:	
DECIMALS .X ± 3.0 (.12) .XX ±	ANGLES ±1°
MATERIAL SEE NOTES	FINISH SEE NOTES
DO NOT SCALE DRAWING	
PROJECTION SYMBOL	

CAD GENERATED DRAWING DO NOT MANUALLY UPDATE	
APPROVALS	
DRAWN BY S. STASIAK	MECH ENGINEER
T. GOSSARD	TECH DIRECTOR
D. HOCH	MFG ENGINEER
T. MORGAN	

QSC QSC, LLC
1675 MACARTHUR BOULEVARD
COSTA MESA, CA 92626 USA

**CONTROL, TSC-70-G3,
7 INCH TOUCHSCREEN**

SIZE B	CAGE CODE 00PW4	DWG. NO. FG-901372-2D	REV A
SCALE: 1:2		CAD FILE: FG-901372-2D	SHEET: 1 OF 2