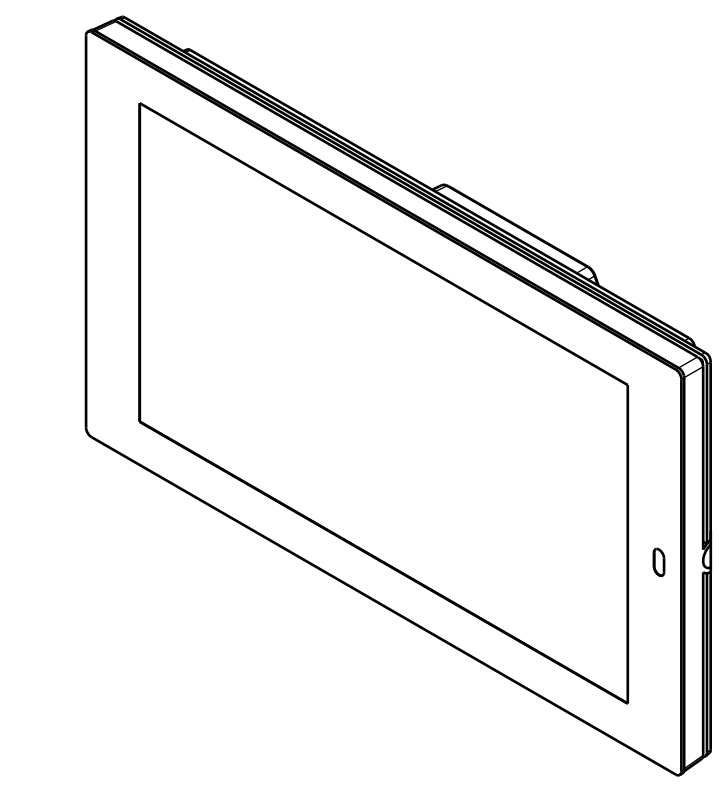
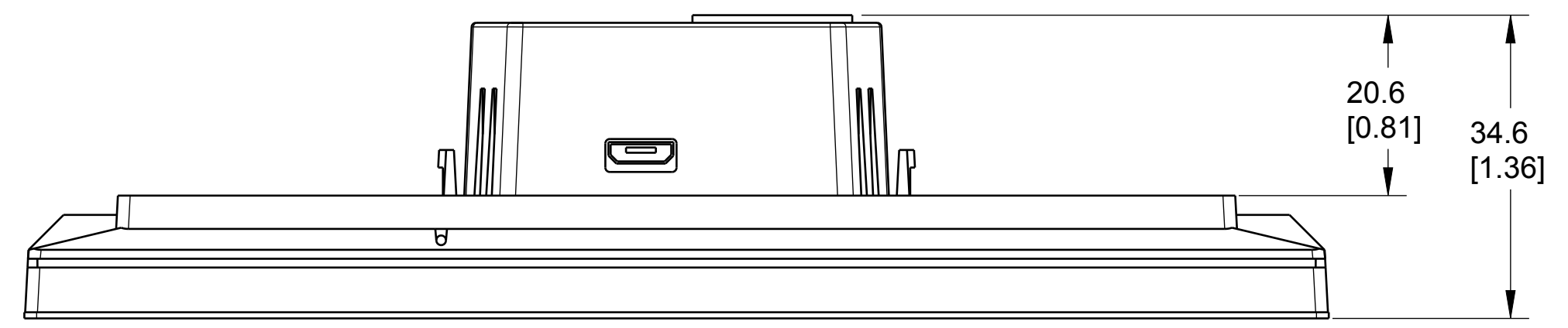
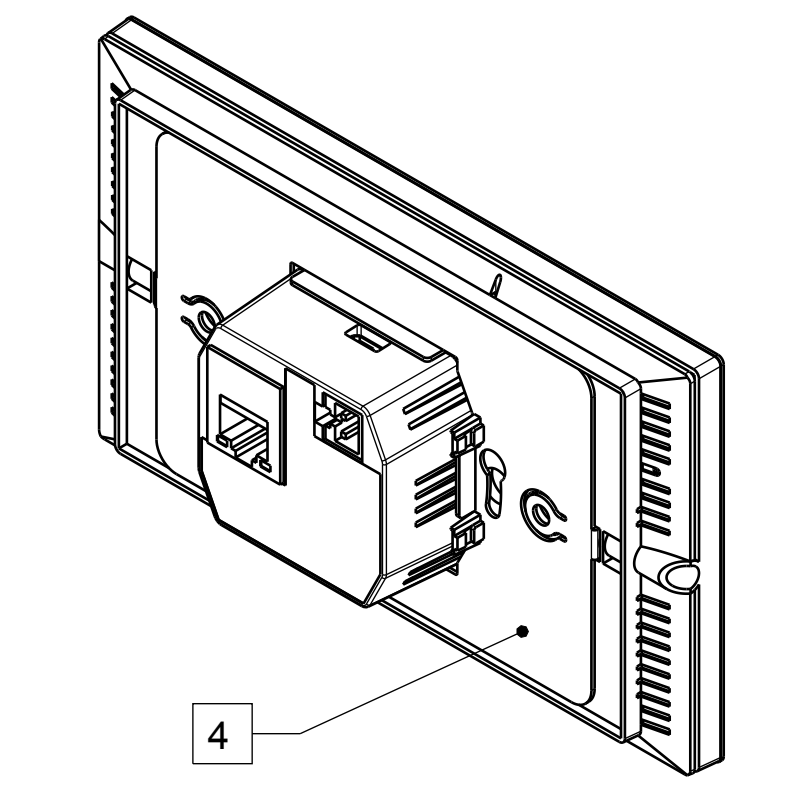


THIS DOCUMENT CONTAINS PROPRIETARY INFORMATION WHICH IS THE PROPERTY OF QSC, LLC. THAT MAY NOT BE DISCLOSED, REPRODUCED OR USED WITHOUT EXPRESS WRITTEN CONSENT FROM QSC, LLC.

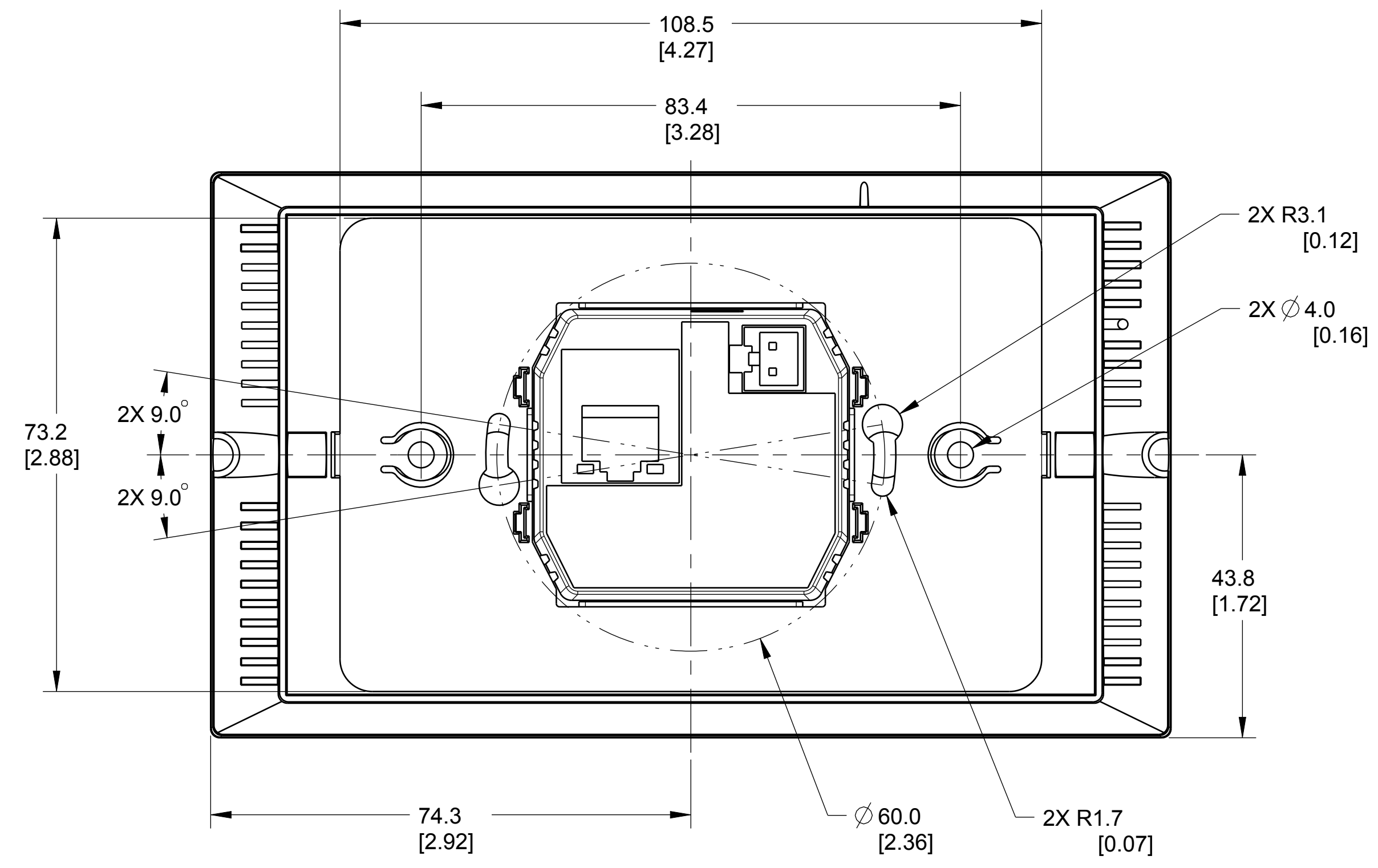
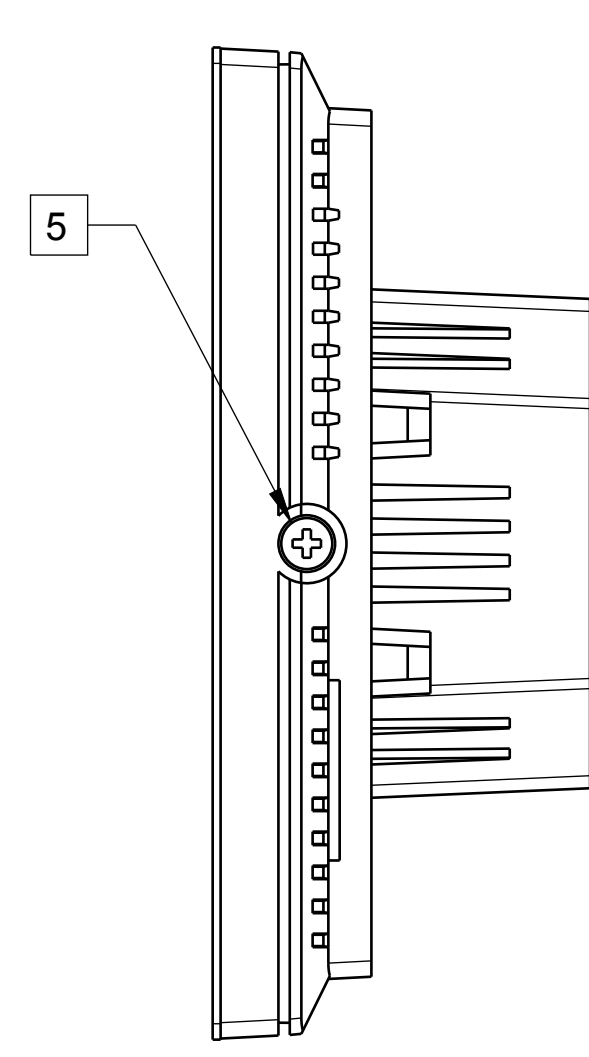
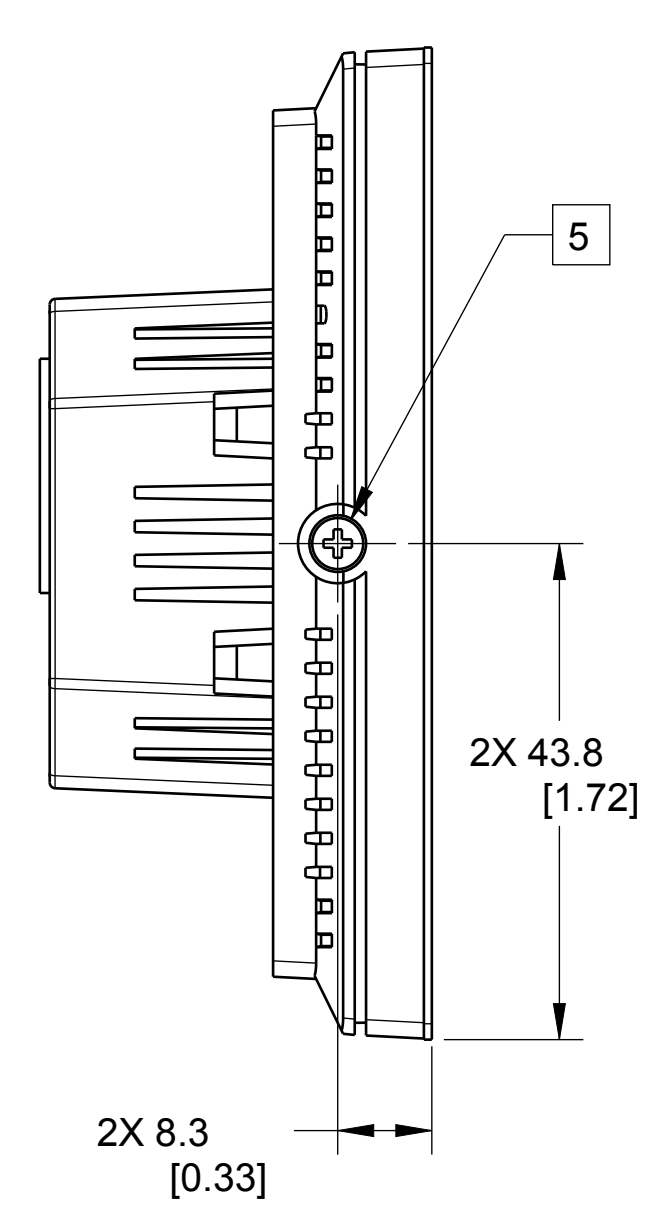
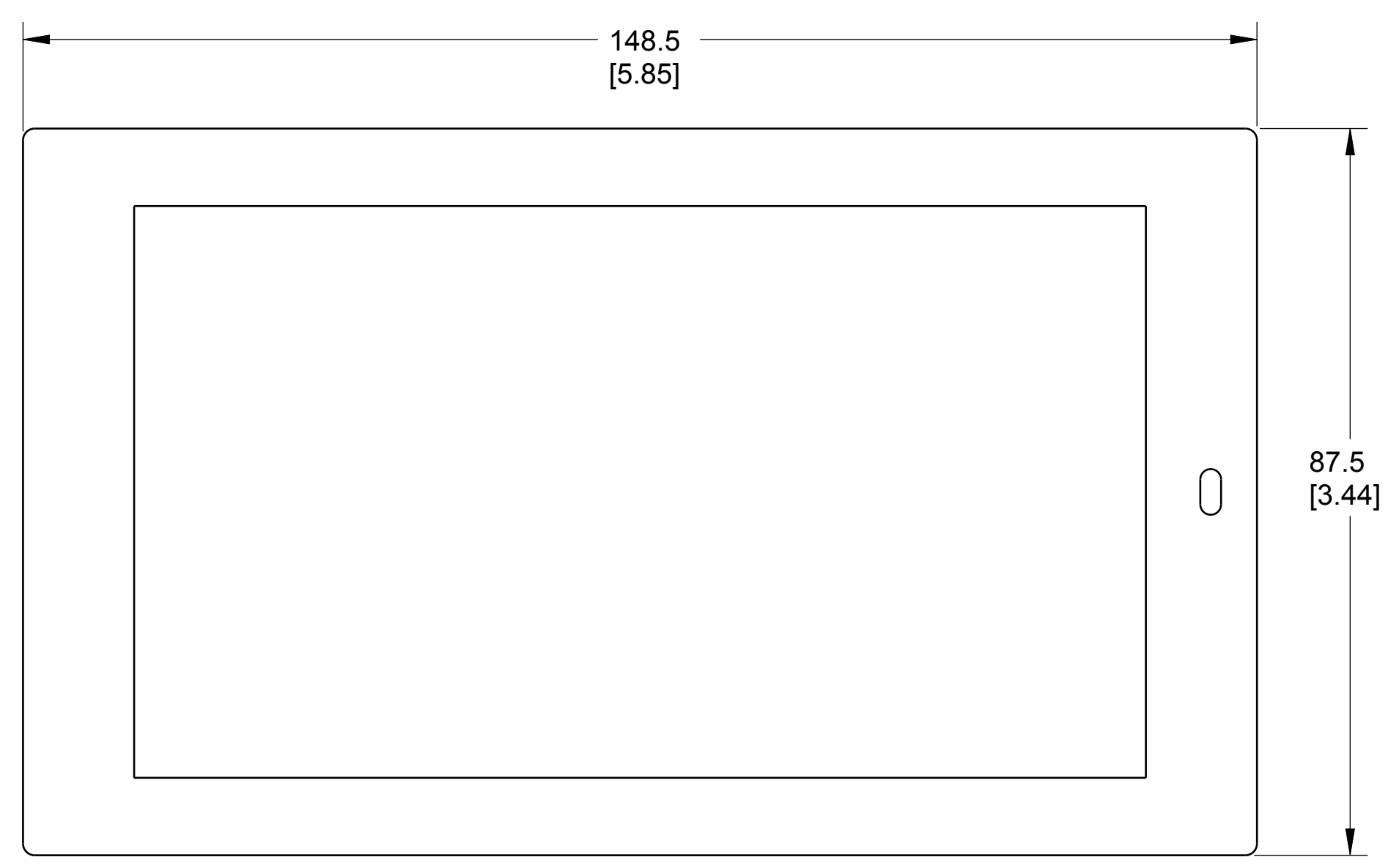
REVISIONS			
REV	DESCRIPTION	BY	DATE
A	RELEASE FOR SALES AND MARKETING	ES	19-DEC-17



FRONT VIEW  
SCALE 0.750



REAR VIEW  
SCALE 0.750



- 5 INSTALL SIDE SCREWS TO SECURE TOUCH PANEL TO MOUNTING FLANGE, 2 PLACES.
- 4 INSTALL MOUNTING FLANGE TO ELECTRICAL BOX FIRST, THEN ATTACH TOUCH PANEL TO MOUNTING FLANGE.
- 3. DIMENSIONS ARE IN MILLIMETERS [INCH].
- 2. TOLERANCES (MM): X ± 3, ANGLES: ± 1°.
- 1. NET WEIGHT APPROX. 0.18 KG [0.4 LBS].

NOTES: UNLESS OTHERWISE SPECIFIED.

UNLESS OTHERWISE SPECIFIED DIMENSIONS IN MILLIMETERS (IN) TOLERANCES ARE: DECIMALS    DECIMALS    ANGLES X± .5[.02]    XX±.25[.01]    ± 1/2 DEBURR EDGES .25 [0.01] R MAX	DESIGNER <b>ENG. SERVICES</b>	<b>QSC, LLC</b> 1675 MACARTHUR BOULEVARD COSTA MESA, CA 92626	<b>PROCESSOR, TSC-55W-G2-BK,          Q-SYS 5.5" IN-WALL TOUCH PANEL</b>		
	ENGINEER				
	TECHNICAL DIRECTOR <b>D. HOCH</b>				
	MANUFACTURING ENGINEER <b>T. MORGAN</b>				
MATERIAL	DRAWING INFO: FG-117030-2D.A.0	SIZE <b>D</b>	CAGE CODE <b>00PW4</b>	DRAWING NO. <b>FG-117030-2D</b>	REV <b>A</b>
FINISH	MODEL INFO: FG-117030-3D.A.0	SCALE: 1.500	DO NOT SCALE DRAWING	SHEET	1 OF 1