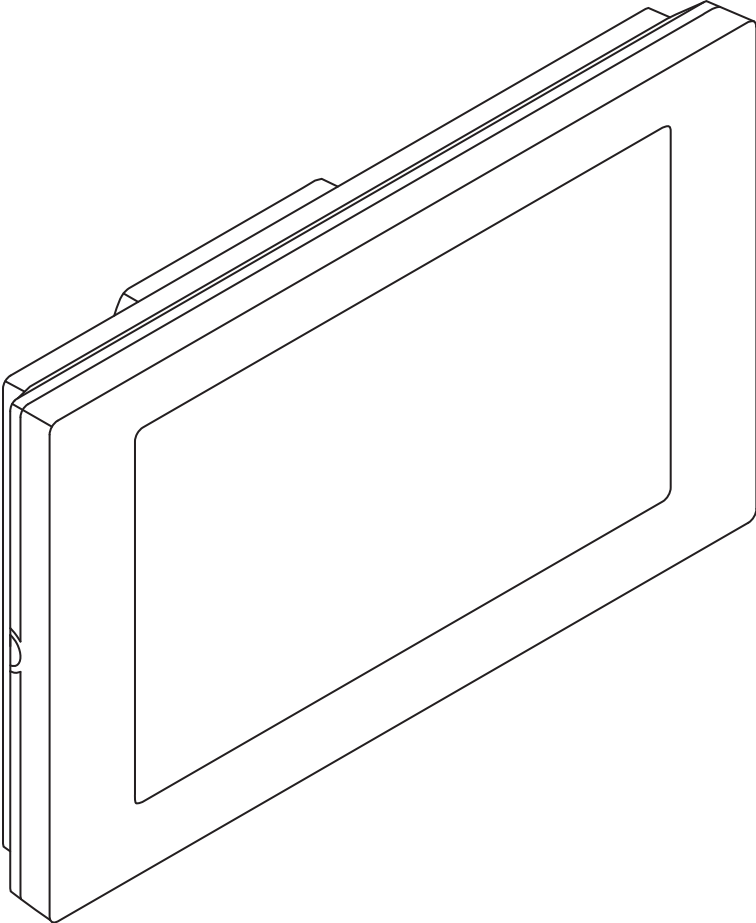


## Hardware User Guide

---

### TSC-47W-G2 Touchscreen Controller



# EXPLANATION OF SYMBOLS

The term “WARNING!” indicates instructions regarding personal safety. If the instructions are not followed the result may be bodily injury or death.

The term “CAUTION!” indicates instructions regarding possible damage to physical equipment. If these instructions are not followed, it may result in damage to the equipment that may not be covered under the warranty.

The term “IMPORTANT!” indicates instructions or information that are vital to the successful completion of the procedure.

The term “NOTE” is used to indicate additional useful information.



**NOTE:** The intent of the lightning flash with arrowhead symbol in a triangle is to alert the user to the presence of un-insulated “dangerous” voltage within the product’s enclosure that may be of sufficient magnitude to constitute a risk of electric shock to humans.



**NOTE:** The intent of the exclamation point within an equilateral triangle is to alert the user to the presence of important safety, and operating and maintenance instructions in this manual.



## IMPORTANT SAFETY INSTRUCTIONS



1. Read these instructions.
2. Keep these instructions.
3. Heed all warnings.
4. Follow all instructions.
5. Do not use this apparatus near water.
6. Clean only with a dry cloth.
7. Do not block any ventilation opening. Install in accordance with the manufacturer’s instructions.
8. Do not install near any heat sources such as radiators, heat registers, stoves, or other apparatus (including amplifiers) that produce heat.
9. Only use attachments/accessories specified by the manufacturer.
10. Refer all servicing to qualified service personnel.
11. Adhere to all applicable local codes.
12. Consult a licensed, professional engineer when any doubt or questions arise regarding a physical equipment installation.

## FCC Statement



**NOTE:** This equipment has been tested and found to comply with the limits for a Class B digital device, pursuant to Part 15 of the FCC Rules.



**NOTE:** These limits are designed to provide reasonable protection against harmful interference in a residential installation. This equipment generates, uses and can radiate radio frequency energy and, if not installed and used in accordance with the instructions, may cause harmful interference to radio communications. However, there is no guarantee that interference will not occur in a particular installation. If this equipment does cause harmful interference to radio or television reception, which can be determined by turning the equipment off and on, the user is encouraged to try to correct the interference by one or more of the following measures:

- Reorient or relocate the receiving antenna.
- Increase the separation between the equipment and receiver.
- Connect the equipment into an outlet on a circuit different from that to which the receiver is connected.
- Consult the dealer or an experienced radio/TV technician for help.

## RoHS Statement

The Q-SYS TSC-47W-G2 products are in compliance with European Directive 2011/65/EU – Restriction of Hazardous Substances (RoHS).

The Q-SYS TSC-47W-G2 products are in compliance with “China RoHS” directives per GB/T26572. The following table is provided for product use in China and its territories:

| Q-SYS TSC-47W-G2 系列,          |   |           |           |                 |               |                 |
|-------------------------------|---|-----------|-----------|-----------------|---------------|-----------------|
| 部件名称<br>(Part Name)           | 有毒有害物质或元素<br>(Toxic or hazardous Substances and Elements) |           |           |                 |               |                 |
|                               | 铅<br>(Pb)   | 汞<br>(Hg) | 镉<br>(Cd) | 六价铬<br>(Cr(vi)) | 多溴联苯<br>(PBB) | 多溴二苯醚<br>(PBDE) |
| 电路板组件<br>(PCB Assemblies)     | X   | O         | O         | O               | O             | O               |
| 机壳装配件<br>(Chassis Assemblies) | X   | O         | O         | O               | O             | O               |

本表格依据 SJ/T 11364 的规定编制。(This table is prepared following the requirement of SJ/T 11364.)  
 O: 表示该有害物质在该部件所有均质材料中的含量均在 GB/T 26572 规定的限量要求以下。  
 O: Indicates that the concentration of the substance in all homogeneous materials of the part is below the relevant threshold specified in GB/T 26572.  
 X: 表示该有害物质至少在该部件的某一均质材料中的含量超出 GB/T 26572 规定的限量要求。  
 X: Indicates that the concentration of the substance in at least one of all homogeneous materials of the part is above the relevant threshold specified in GB/T 26572.  
 (目前由于技术或经济的原因暂时无法实现替代或减量化) (Replacement and reduction of content cannot be achieved currently because of the technical or economic reason.)

## Warranty

For a copy of the QSC Limited Warranty, visit the QSC, LLC., website at [www.qsc.com](http://www.qsc.com)

Para una copia de la Garantía Limitada de QSC, visite el sitio web de QSC, LLC., en [www.qsc.com](http://www.qsc.com)

Pour obtenir une copie de la garantie limitée de QSC, visitez le site de QSC, LLC. à [www.qsc.com](http://www.qsc.com)

Besuchen Sie die Webseite von QSC, LLC. ([www.qsc.com](http://www.qsc.com)) um eine Kopie der beschränkten Garantie von QSC zu erhalten.

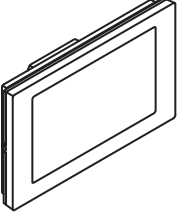
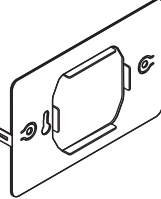


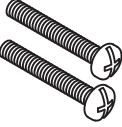
如果您想要QSC有限保修的複印本，请造访QSC音频产品的网站[www.qsc.com](http://www.qsc.com)

Для получения копии ограниченной гарантии QSC посетите веб-сайт QSC, LLC., расположенный по адресу [www.qsc.com](http://www.qsc.com).

للحصول على نسخة من الضمان المحدود الخاص بـQSC، قم بزيارة الموقع الإلكتروني لشركة QSC للمنتجات الصوتية على [www.qsc.com](http://www.qsc.com)

QSC限定保証の複製には、QCSのウェブサイト[www.qsc.com](http://www.qsc.com)にアクセスしてください。

## Package Contents

|  |  |   |
|--|--|---|
|  <p>1<br/>TSC-47W-G2<br/>Touchscreen<br/>Controller</p> |  <p>1<br/>Universal<br/>Wall-Mounting-Bracket</p> |  <p>1<br/>Safety Information and<br/>Regulatory Statements<br/>TD-001510</p> |
|  <p>1<br/>QSC Limited<br/>Warranty<br/>TD-000453</p>    |  <p>2<br/>Screws (#6-32, 25mm)</p>                |   |

## Description

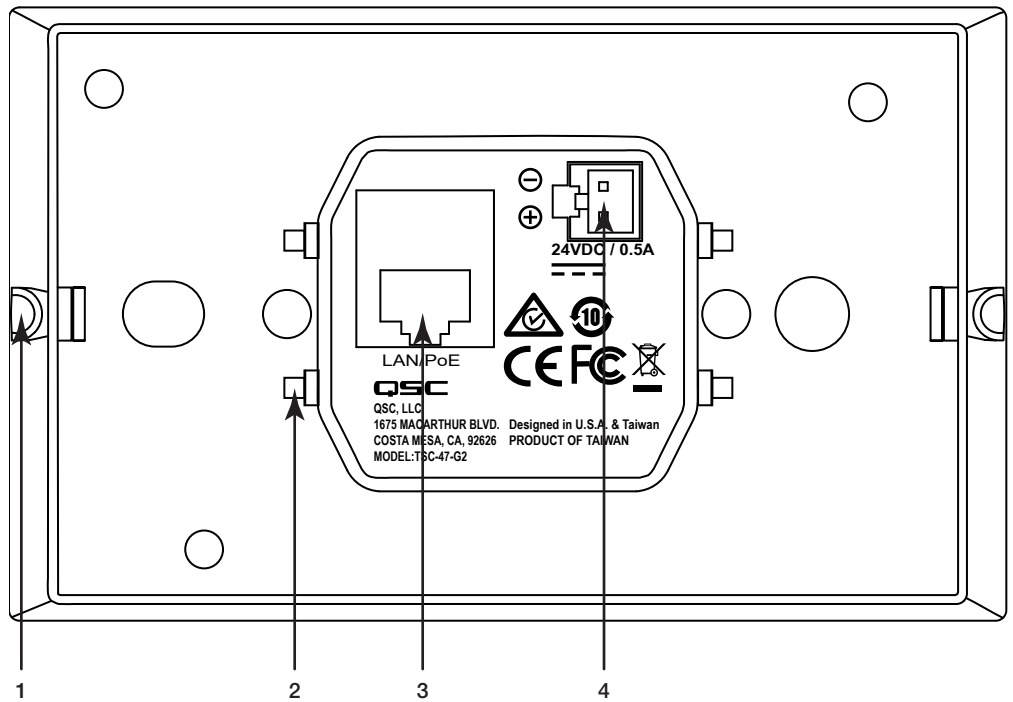
The TSC-47W-G2 Touchscreen Controller combines capacitive LCD touch technology with a 960 x 540 high-definition resolution display, and Power over Ethernet (PoE) for simplified single-cable installation. The TSC-47W-G2 can operate in both portrait or landscape mode providing more design flexibility when installing in a wall, lectern or a similar flat surface. In addition, these units include accessories for mounting to US and European standard junction boxes.

# Features

## Rear Panel

Refer to Figure 1

1. Security lock/mounting screws (2x) for locking the Touchscreen Controller to the installed Universal Wall-Mounting-Bracket
2. Mounting clips (4x) for holding the Touchscreen Controller to the Universal Wall-Mounting-Bracket before tightening the security screws
3. Female RJ45 for connection to Q-LAN. PoE capable
4. 24VDC external power supply connection  
The power supply is not included see "Specifications" on page 8 for power supply details.

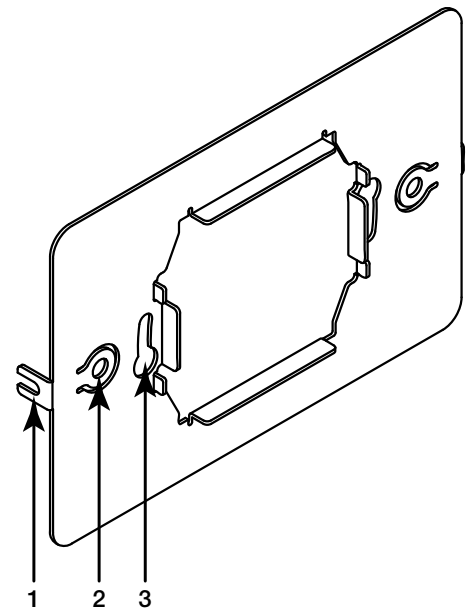


— Figure 1 —

## Universal Wall-Mounting-Bracket

Refer to Figure 2

1. Touchscreen Controller Security lock tabs (x2)
2. Mounting holes for a US standard single-gang electrical box; screws provided (#6-32, 25 mm)
3. Mounting holes for European single-gang electrical box



— Figure 2 —

## Installation

The TSC-47W-G2 Touchscreen Controller is designed for surface mount installation in a wall, lectern or similar flat surface. A Universal Wall-Mounting-Bracket is included for mounting to standard US and European wall and junction boxes and allows for vertical or horizontal installations.

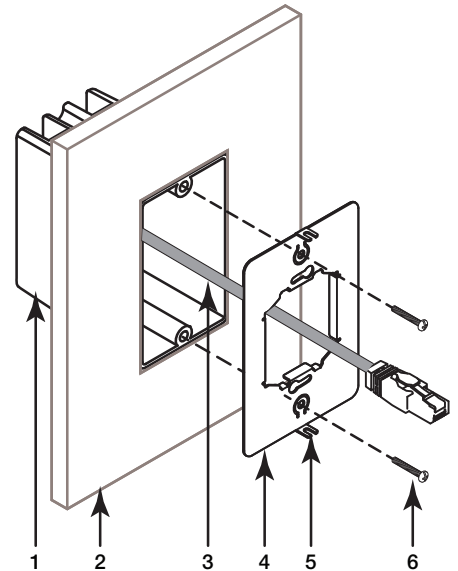
The following procedure uses a pre-installed electrical box, US or European, with the Touchscreen Controller in a vertical orientation. The orientation is controlled in Q-SYS Designer.

Refer to Figure 3 and Figure 4.

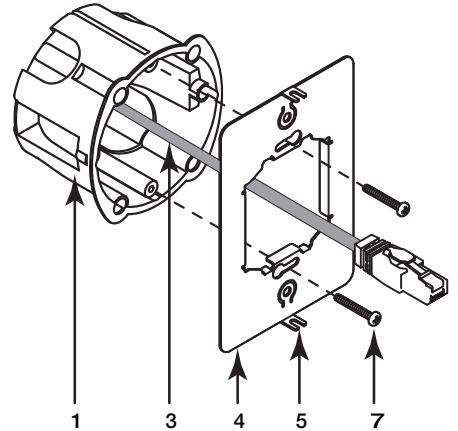
1. Make sure the Q-LAN cable (3) (CAT-6, terminated with an RJ-45 connector), is installed in the wall (2) or podium, etc. with sufficient slack in the cable for installation without stressing the cable.
2. Run the cable through one of the cable openings in the electrical box (1) and through the hole in the center of the Universal Wall-Mounting-Bracket (4).
3. Align the Universal Wall-Mounting-Bracket to the electrical box with the security lock tabs (5) pointing away from the wall.
4. Use the two supplied (#6-32, 25 mm) screws (6) to secure the Universal Wall-Mounting-Bracket to the electrical box. If you are using a round electrical box (Figure 4) secure the Universal Wall-Mounting-Bracket to the electrical box with 2 appropriate screws (7) (not supplied).

Refer to Figure 5 and Figure 6.

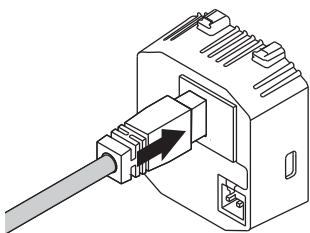
5. Connect the Q-LAN cable (RJ45) to the receptacle on the rear of the Touchscreen Controller (Figure 5)
6. Carefully feed the excess cable back into the electrical connection box (1) and mate the Touchscreen Controller to the Universal Wall-Mounting-Bracket (2) as shown in Figure 6. You will hear a slight click when the unit is properly mated to the Universal Wall-Mounting-Bracket.
7. Using a Phillips screwdriver (#0) tighten the locking screws (3) on both ends of the Touchscreen Controller.



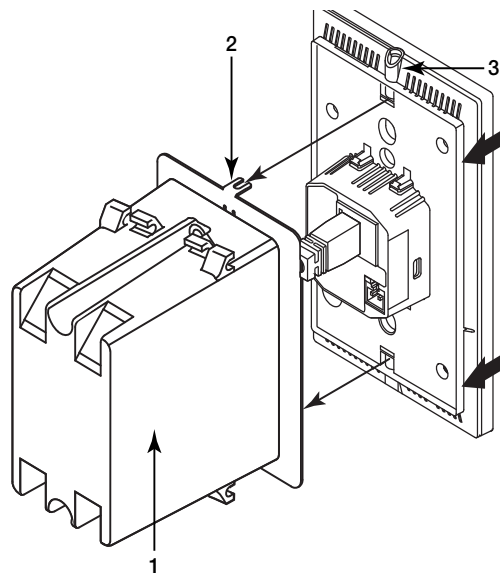
— Figure 3 —



— Figure 4 —

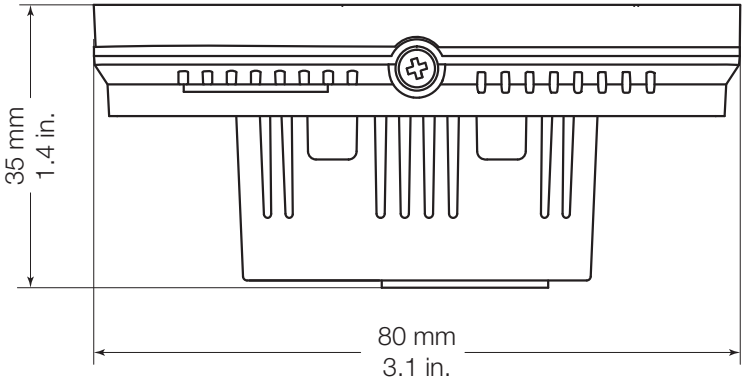
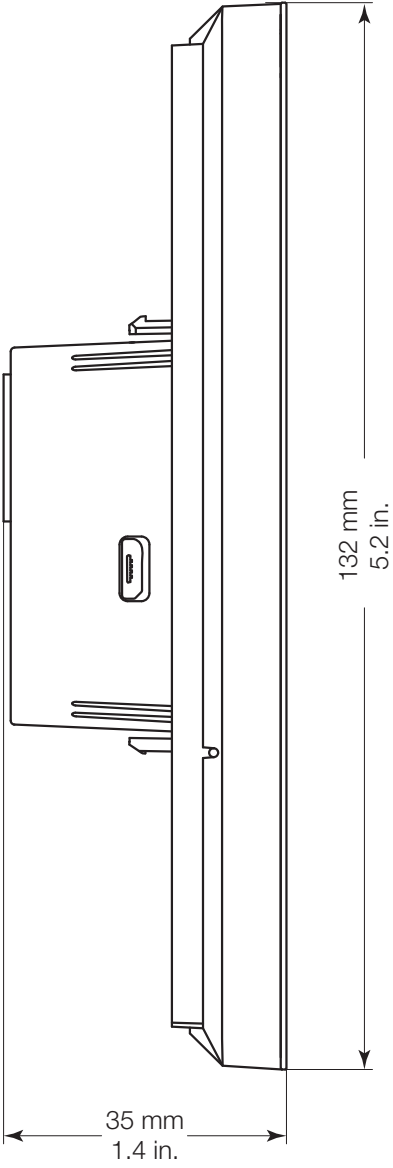
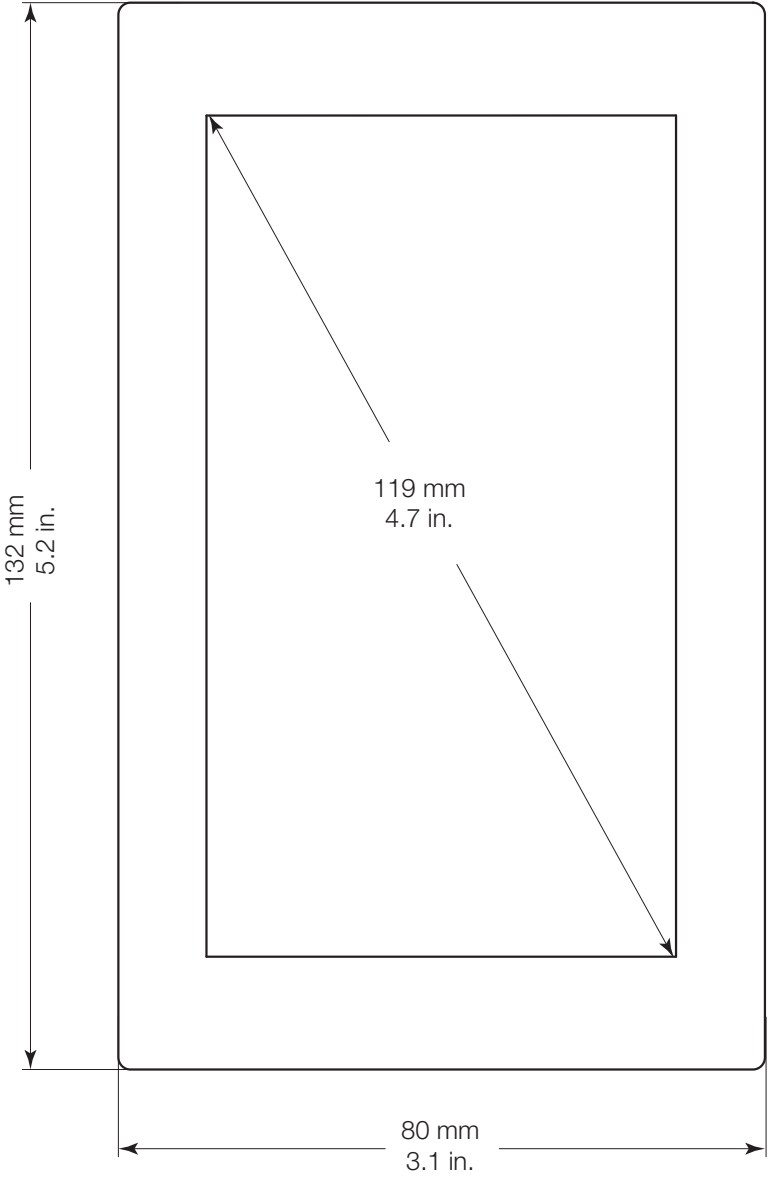


— Figure 5 —



— Figure 6 —

# Dimensions



— Figure 7 —







### **Mailing Address:**

QSC, LLC  
1675 MacArthur Boulevard  
Costa Mesa, CA 92626-1468 U.S.

Main Number: +1.714.754.6175

World Wide Web: [www.qsc.com](http://www.qsc.com)

### **Sales & Marketing:**

Voice:

+1.714.957.7100

Toll free (U.S. only) 800.854.4079

FAX: +1.714.754.6174

E-mail: [info@qsc.com](mailto:info@qsc.com)

### **Q-SYS™ Customer Support**

#### **Application Engineering and Technical Services**

Monday - Friday 7 AM to 5 PM PST (Excludes Holidays)

Voice:

Toll free (U.S. only) 800.772.2834

+1.714.957.7150

### **Q-SYS 24/7 Emergency Support\***

Voice:

+1.888.252-4836 (U.S./Canada)

+1.949.791.7722 (non U.S.)

\*Q-SYS 24/7 Support is for Emergency assistance with Q-SYS systems only. 24/7 support guarantees a call back within 30 min after a message is left. Please include, Name, Company, Call Back Number and description of the Q-SYS emergency for prompt call back. If calling during business hours please use the standard support numbers above.

### **Q-SYS Support E-mail**

[qsyssupport@qsc.com](mailto:qsyssupport@qsc.com)

(Immediate e-mail response times not guaranteed)

### **QSC Technical Services**

1675 MacArthur Blvd.

Costa Mesa, CA 92626 U.S.

Voice:

800.772.2834 (U.S. only)

+1.714.957.7150

FAX: +1.714.754.6173

