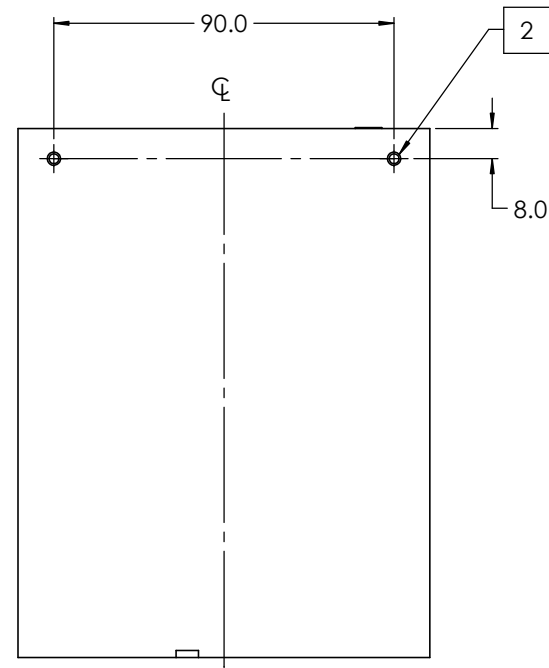
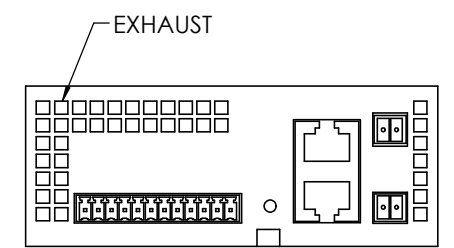
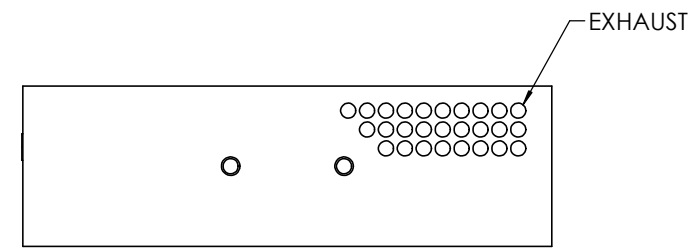
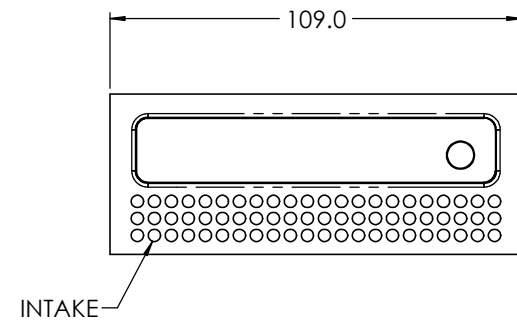
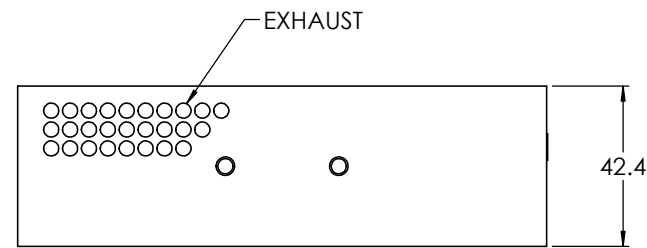
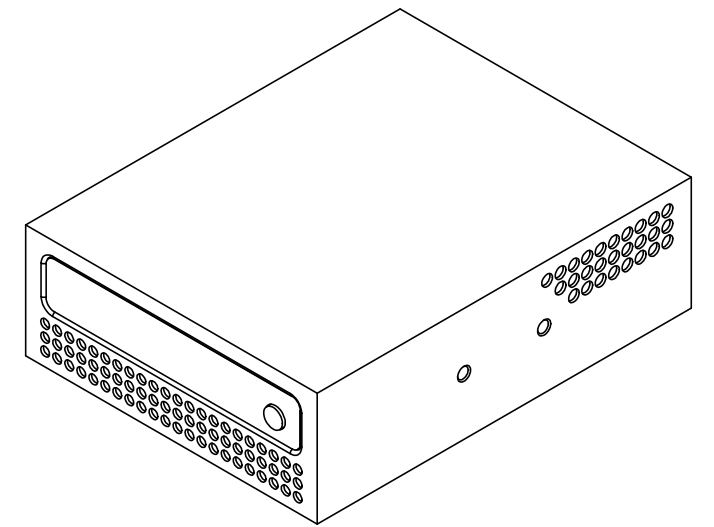
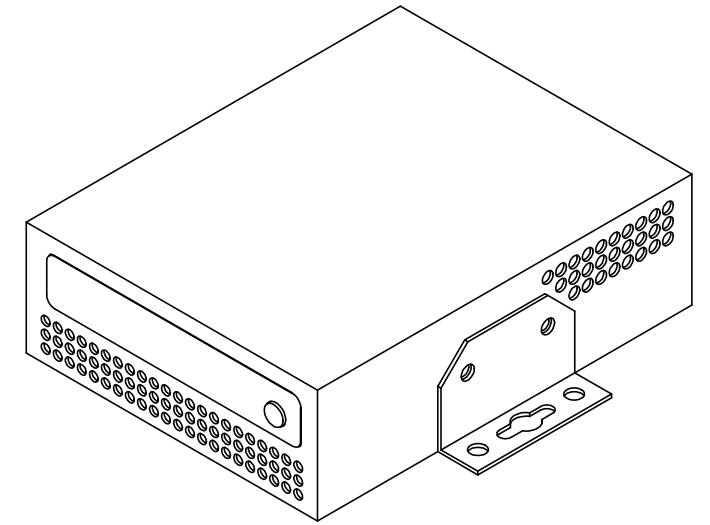
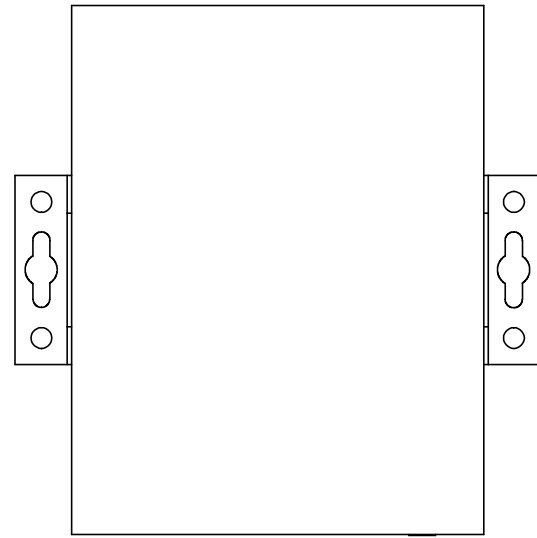


NOTES: UNLESS OTHERWISE SPECIFIED

1. NET WEIGHT APPROX. 55 KG [1.21 LBS].
2. M3X0.5 MOUNTING HOLES FOR OPTIONAL MOUNTING TRAY ACCESSORY.
3. PARTS ARE SYMMETRICAL ABOUT CENTER LINES UNLESS OTHERWISE NOTED.





SURFACE MOUNT

