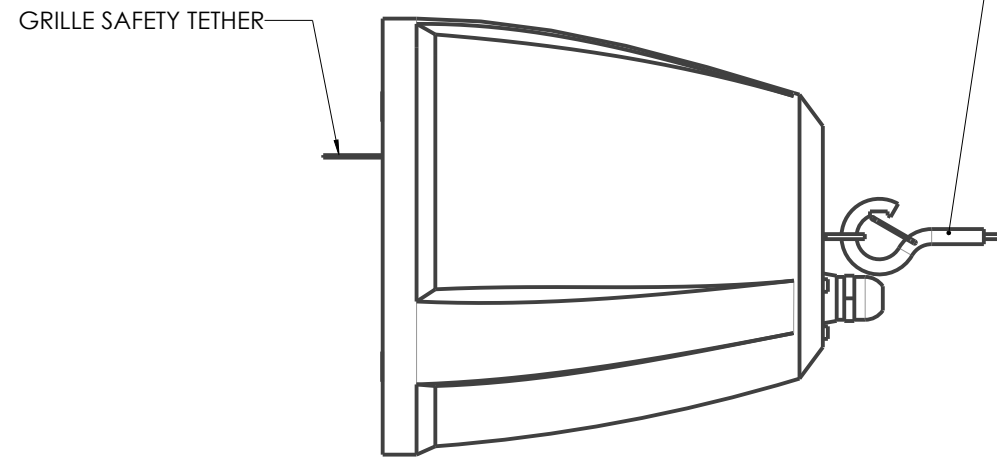
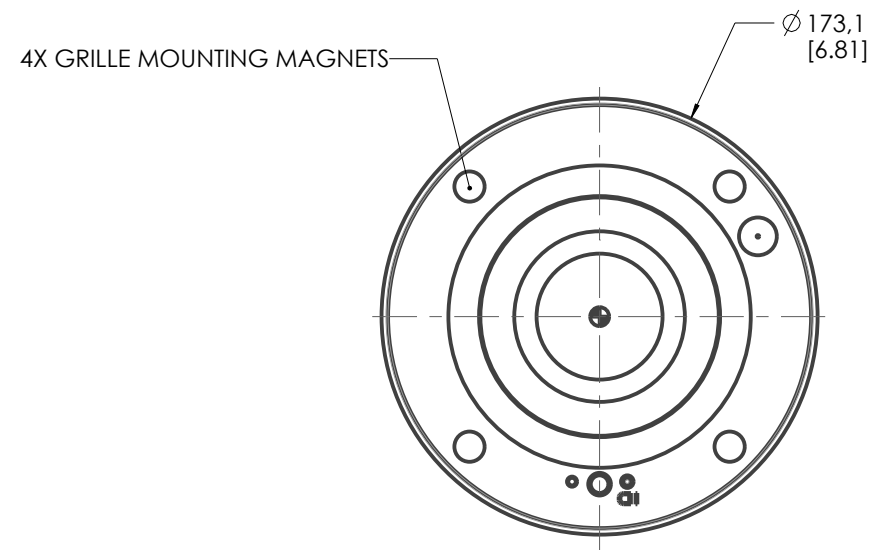
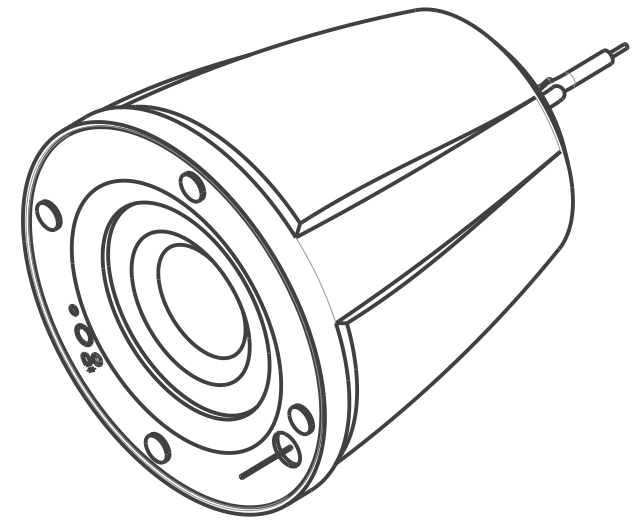
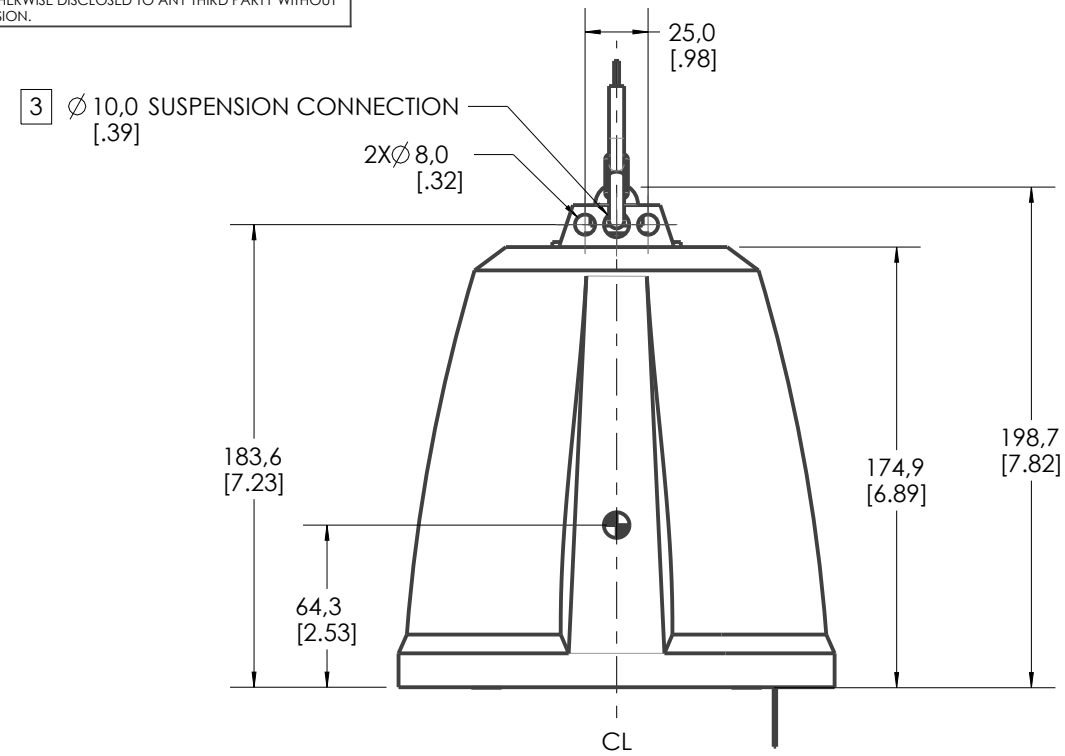
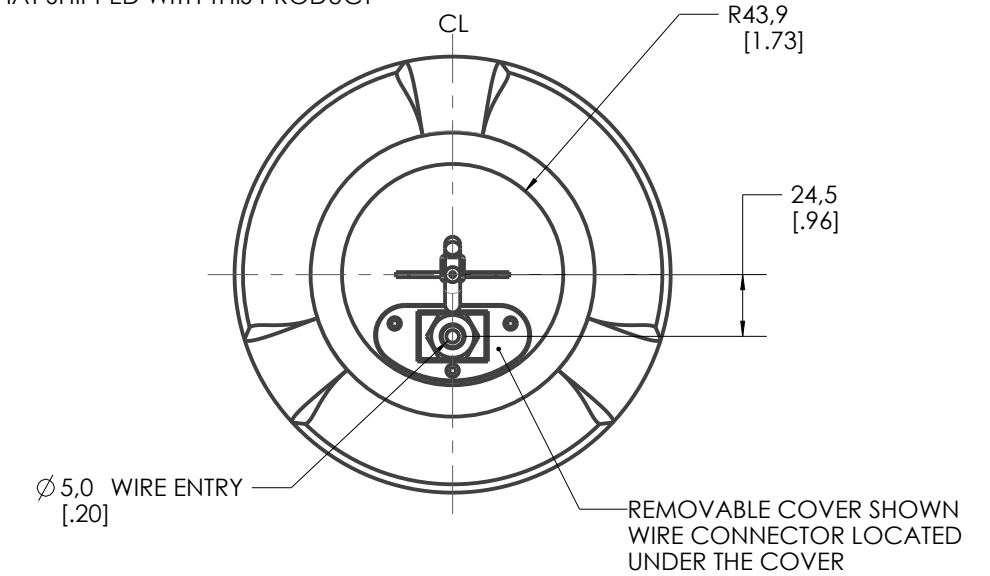


THIS DOCUMENT CONTAINS CONFIDENTIAL OR PROPRIETARY INFORMATION WHICH IS THE PROPERTY OF QSC, LLC, THAT MAY NOT BE DISCLOSED, REPRODUCED OR USED WITHOUT EXPRESS WRITTEN CONSENT FROM QSC, LLC. NO PORTION OF THIS DOCUMENT MAY BE REPRODUCED, REDISTRIBUTED, OR OTHERWISE DISCLOSED TO ANY THIRD PARTY WITHOUT QSC'S WRITTEN PERMISSION.

REVISION		BY	DATE
REV	DESCRIPTION		
A	INITIAL RELEASE	H.HE	27-JUL-21



SUSPENSION DEVICE  
REFEREANCE THE ASSEMBLY INSTRUCTIONS  
THAT SHIPPED WITH THIS PRODUCT



- 6. GRILLE NOT SHOWN FOR CLARITY.
  - 5. DIMENSIONS ARE IN MILLIMETERS [INCH].
  - 4. SYMBOL INDICATES CENTER OF GRAVITY.
  - 3. SUSPENSION CONNECTION.
  - 2. PARTS ARE SYMMETRICAL ABOUT CENTER LINES UNLESS OTHERWISE NOTED.
  - 1. NET WEIGHT APPROX 1.3 KG [2.9 LBS].
- NOTE: UNLESS OTHERWISE SPECIFIED.

UNLESS OTHERWISE SPECIFIED DIMENSIONS ARE IN MM [IN]		CAD GENERATED DRAWING DO NOT MANUALLY UPDATE		QSC, LLC 1675 MACARTHUR BOULEVARD COSTA MESA, CA 92626 USA	
TOLERANCES ARE:		APPROVALS		<b>LOUDSPEAKER, NL-P4, PENDANT</b>	
DECIMALS	ANGLES	DRAWN BY			
.X ± 3.0[.12]	± 1°	H. HE			
MATERIAL SEE NOTES		MECH ENGINEER T. GOSSARD			
FINISH SEE NOTES		TECH DIRECTOR J. SANDERS		SIZE CAGE CODE DWG. NO. REV B 00PW4 FG-901506-2D A	
DO NOT SCALE DRAWING		MFG ENGINEER M. LUO		SCALE: 1:3 CAD FILE: FG-901506-2D.A.5 SHEET: 1 OF 1	
PROJECTION SYMBOL					