



Attero Tech by QSC Zip4 & Zip4-3G

Dante™/AES67 4-zone paging station

Features

- Integrates into Q-SYS PA Router functionality running on a Q-SYS Core with a control plugin for Q-SYS Designer Software
- Bi-color (red/green) Ready, Busy, and Zone Status LEDs can indicate zone and system status, driven by the PMS controller
- Network commands control the brightness and color of all status LEDs, as well as solid on or blinking
- A convenient rear panel switch allows the use of either dynamic or phantom powered paging microphones
- Network commands control variable brightness backlighting for ease of use in low-light conditions
- Zip4 (2-Gang US) facilitates use with a handheld PTT mic, while the Zip4-3G (3-Gang US) allows the use of a gooseneck (with or without an integrated PTT switch) for either desktop or wall mount applications
- Powered with IEEE 802.3af PoE PD for use with any PoE compliant network switch



Applications: Airport Terminals & Gates • Mass Transport Hubs • Large Sporting Venues • Convention Centers • Corporate

The Zip4 four-zone Dante™/AES67 paging interface addresses the unique communications needs of large sporting venues, transit hubs like airport terminals and train stations, as well as convention centers and corporate facilities. Paging audio and bi-directional status data can be routed over a Dante or AES67 network to the Q-SYS Ecosystem, third-party network AV system or other Paging Management System (PMS) controller to distribute paging audio to up to four zones.

An RJ-45 jack serves as the PTT microphone interface, and a P-type clamp below the connector serves as robust strain relief for the microphone cord. A latching metal clamp is included for holding the PTT microphone when not in use.

The Zip4 is available in a 2-Gang (US) form factor, while the Zip4-3G version is 3-Gang, to accommodate gooseneck paging microphones

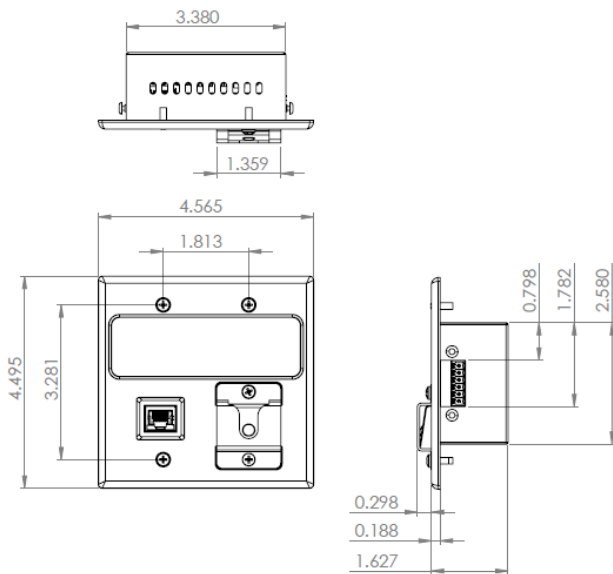
Zip4 & Zip4-3G Details

Specifications

System Details	Zip4
Zone buttons	Four, white backlit, each with an associated bicolor status LED. LED state is fully controlled over the network, and button state can be monitored over the network.
Ready and busy	Bi-color Ready and Busy system status LEDs. LED state is full controlled over the network
Microphone/PTT input	RJ-45 and side-mounted 6-pin depluggable. PTT input is dry contact, closed is active
Microphone gain	+25 dB (with automatic phantom power) and +35 dB
Power consumption	< 5 W max, 802.3af PoE PD compliant
Certifications	FCC 47CFR Parts 15B and 18 (Class A), EN 55011, ICES-003, CE (EN55022 Class A and EN55024 Class A)
Dimensions (HWD)	4.2 x 3.5 x 2 in (106.7 x 88.9 x 50.8 mm)
Operating temperature	0° C - 40° C

System Details	Zip4-3G
Zone buttons	Four, white backlit, each with an associated bicolor status LED. LED state is fully controlled over the network, and button state can be monitored over the network
Ready and busy	Bi-color Ready and Busy system status LEDs. LED state is full controlled over the network
Microphone/PTT input	RJ-45 and side-mounted 6-pin depluggable. PTT input is dry contact, closed is active
Microphone gain	+25 dB (with automatic phantom power) and +35 dB
Power consumption	< 5 W max, 802.3af PoE PD compliant
Certifications	FCC 47CFR Parts 15B and 18 (Class A), EN 55011, ICES-003, CE (EN55022 Class A and EN55024 Class A)
Dimensions (HWD)	4.5 x 6.4 x 2 in (114.3 x 162.6 x 43.2 mm)
Operating temperature	0° C - 40° C

Zip4 Dimensions



Zip4-3G Dimensions

