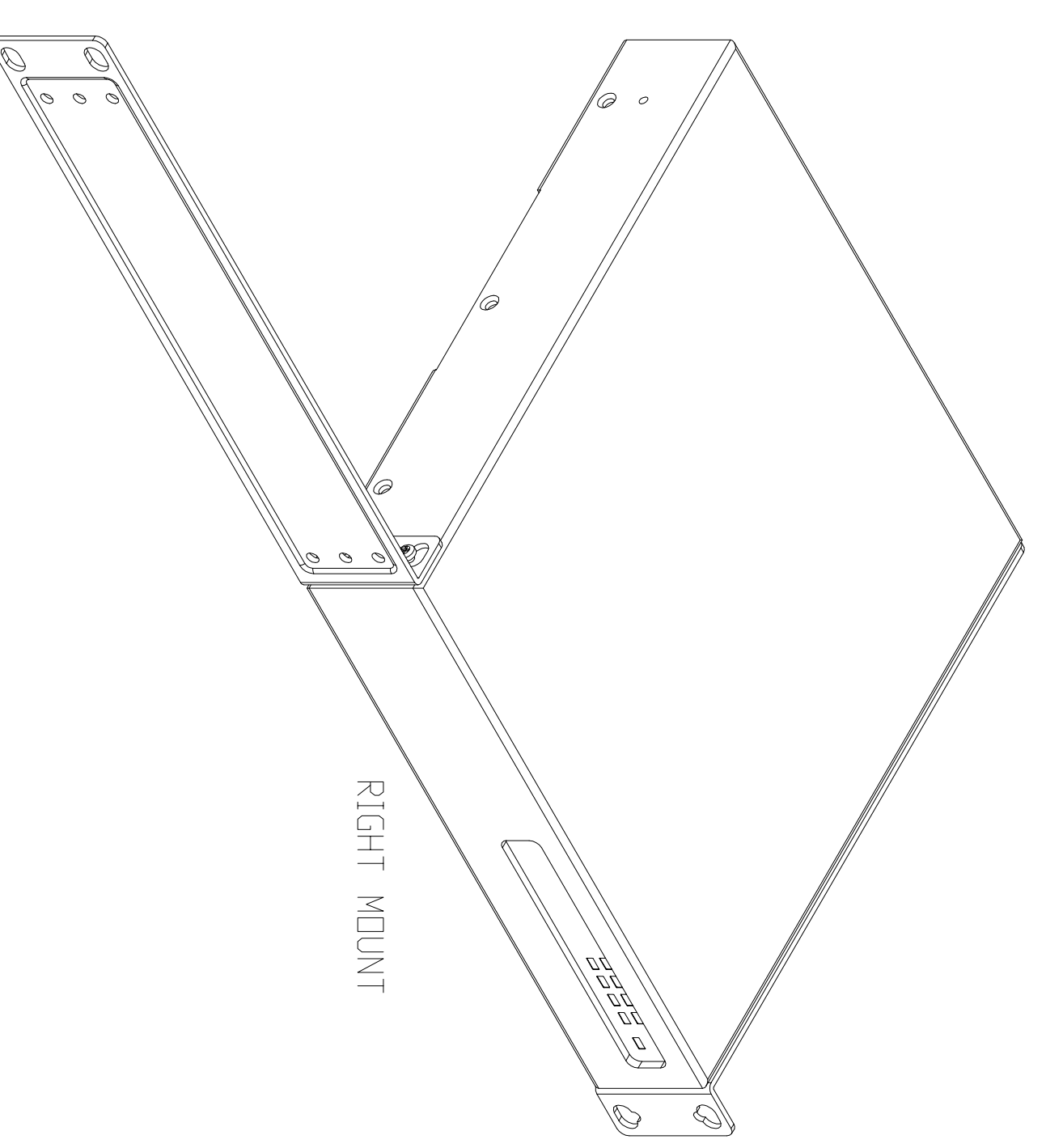
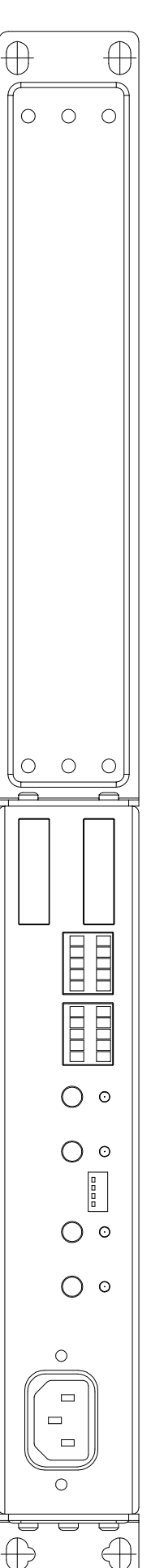
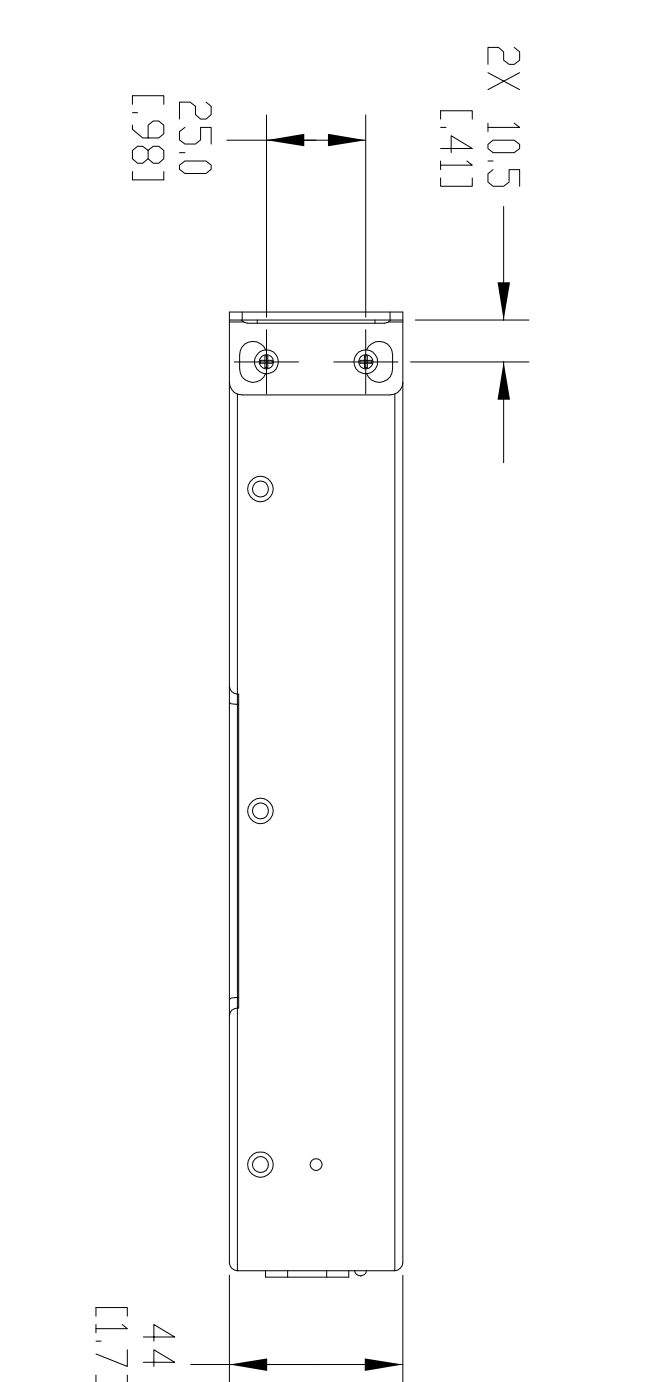
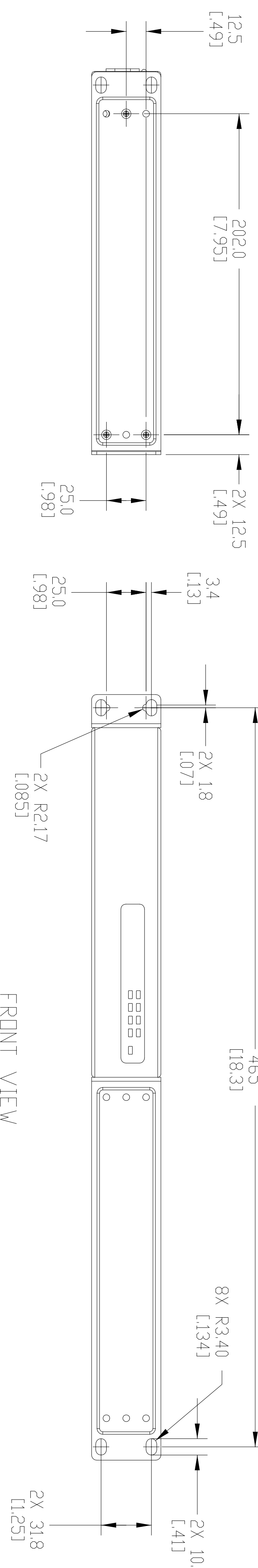
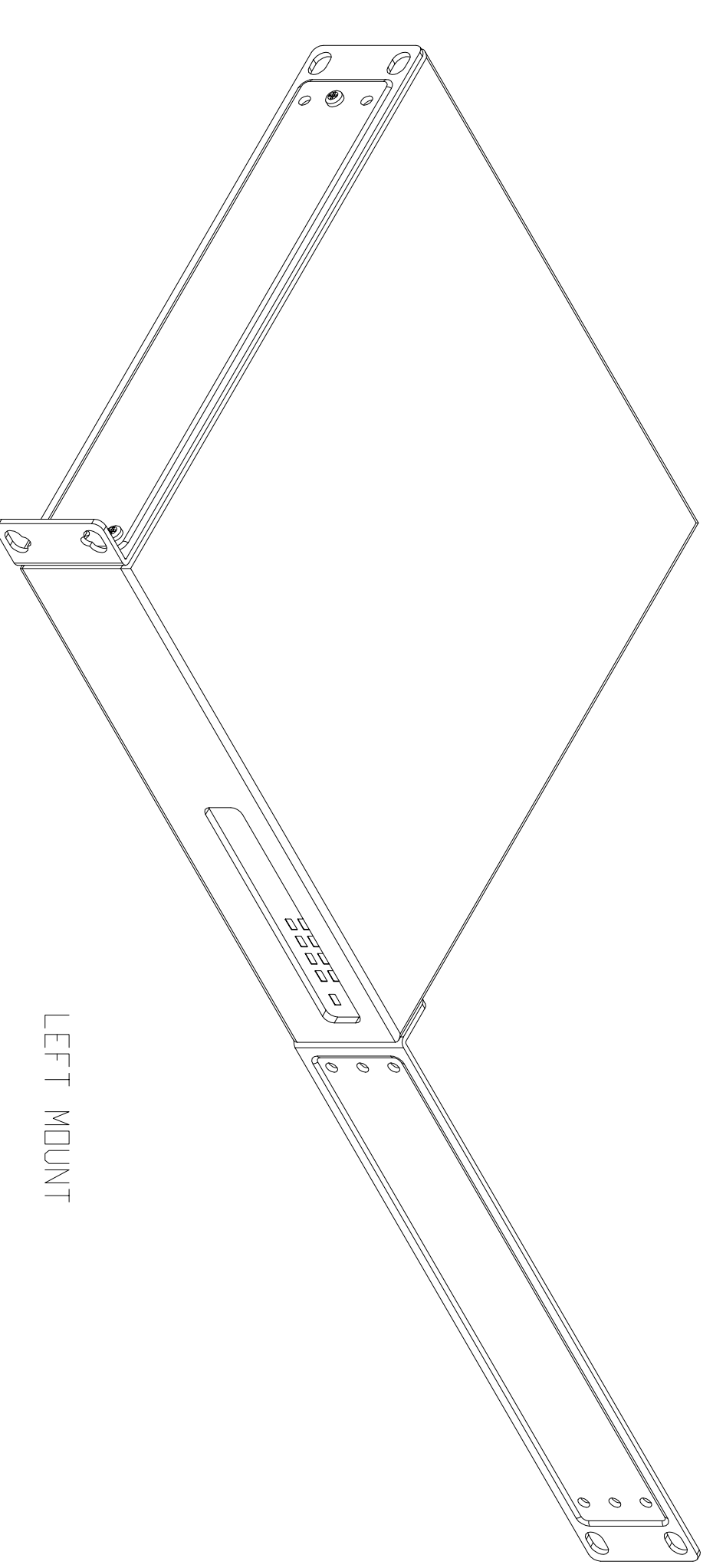
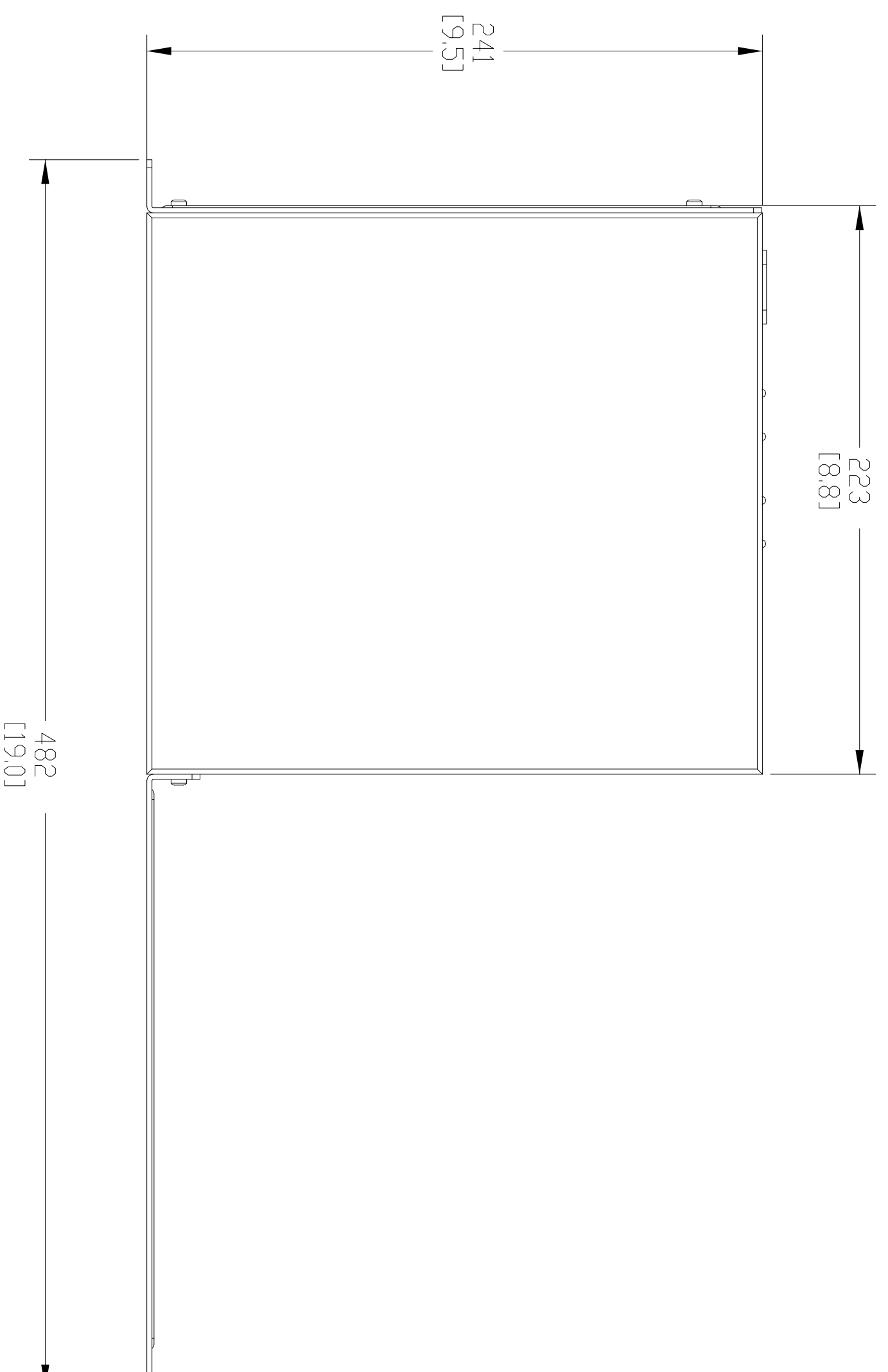


THIS DOCUMENT CONTAINS PROPRIETARY INFORMATION
WHICH IS UNCLASSIFIED, BUT RIGHTS, PERMISSIONS,
AND LIMITATIONS MAY NOT BE DISCLOSED, REPRODUCED OR USED WITHOUT
EXPRESS WRITTEN CONSENT FROM OSC AUDIO PRODUCTS.



REAR VIEW

RIGHT MOUNT

FRONT VIEW

LEFT MOUNT

REV		REVISIONS	
REV	DESCRIPTION	BY	DATE

6. THE LEFT MOUNTING CONFIGURATION IS DIMENSIONED, THE RIGHT MOUNTING CONFIGURATION IS SIMILAR.
5. MEETS UL2043 WITH PLENUM KIT FG-000995-00.
4. MEETS ENERGYSTAR REQUIREMENTS.
3. CHASSIS DESIGNED TO MEET IU RACK MOUNT SPECIFICATION IEC60297-3-100.
2. FEATURES SYMMETRICAL ABOUT CENTERLINE.
1. NET WEIGHT OF SP44-60 APPROX. 14 KG (4.0 LBS). HARDWARE IS ADDITIONAL WEIGHT.

NOTES: UNLESS OTHERWISE SPECIFIED.

UNLESS OTHERWISE SPECIFIED, DIMENSIONS IN MILLIMETERS (IN)		DESIGNER	
TOLERANCES ARE:		ENGINEERING SERVICES	
DECIMALS	FRACTIONS	ANGLES	
X .30(2)	XX 25(0.01)	1/2	
DANGER EDGES 25 (1.00) R MAX		TECHNICAL DIRECTOR	
MATERIAL		MANUFACTURING ENGINEER	
FINISH		DRAWING INFO	
		MODEL INFO	
		SCALE	
		SIZE	
		CAGE CODE	
		DRAWING NO.	
		REV	
		A	
		1 OF 1	

OSCP OSC AUDIO PRODUCTS, LLC
1675 MACARTHUR BOULEVARD
COSTA MESA, CA 92626

SP44-100, SINGLE MOUNT,
19-INCH

8 7 6 5 4 3 2 1