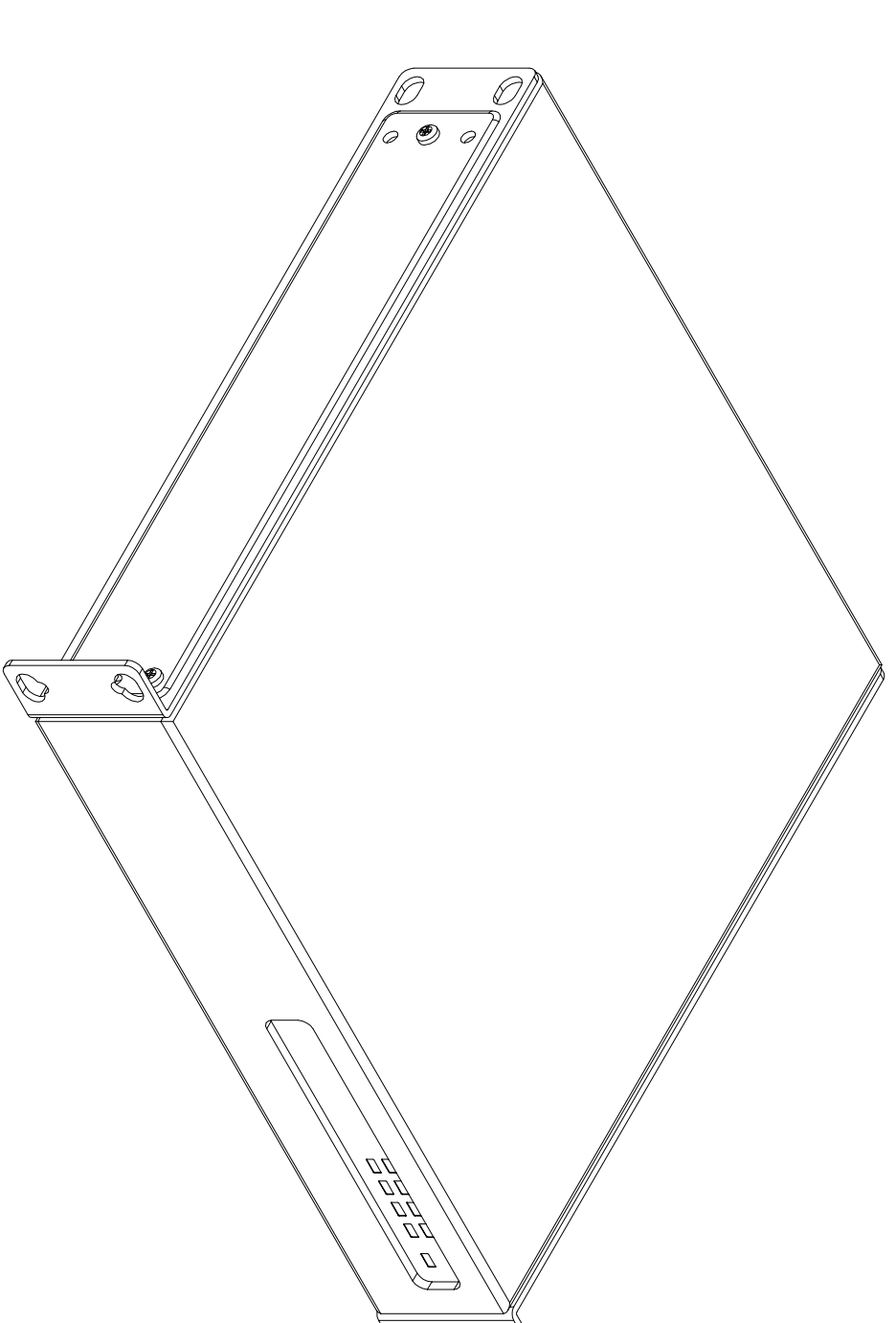
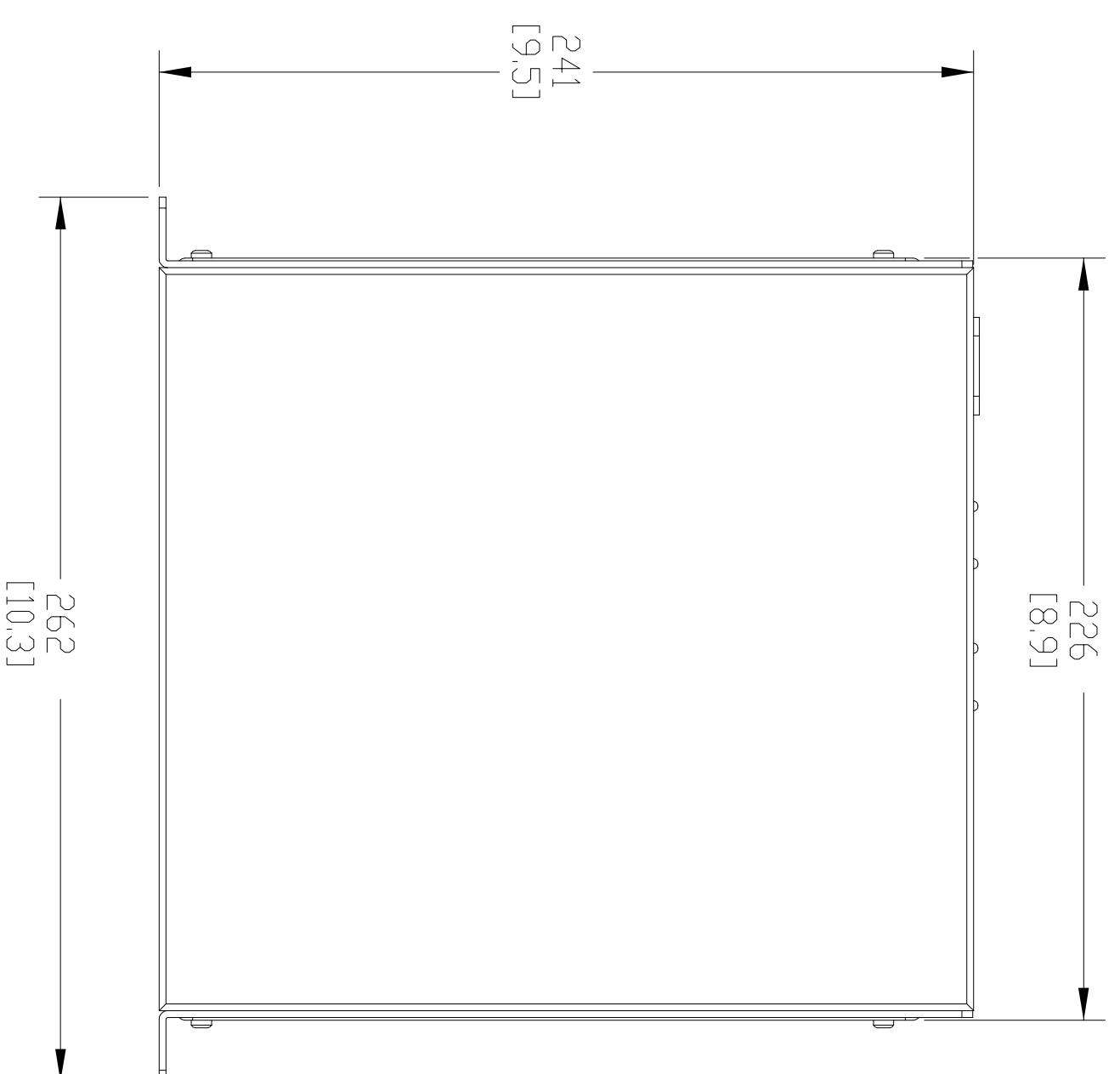
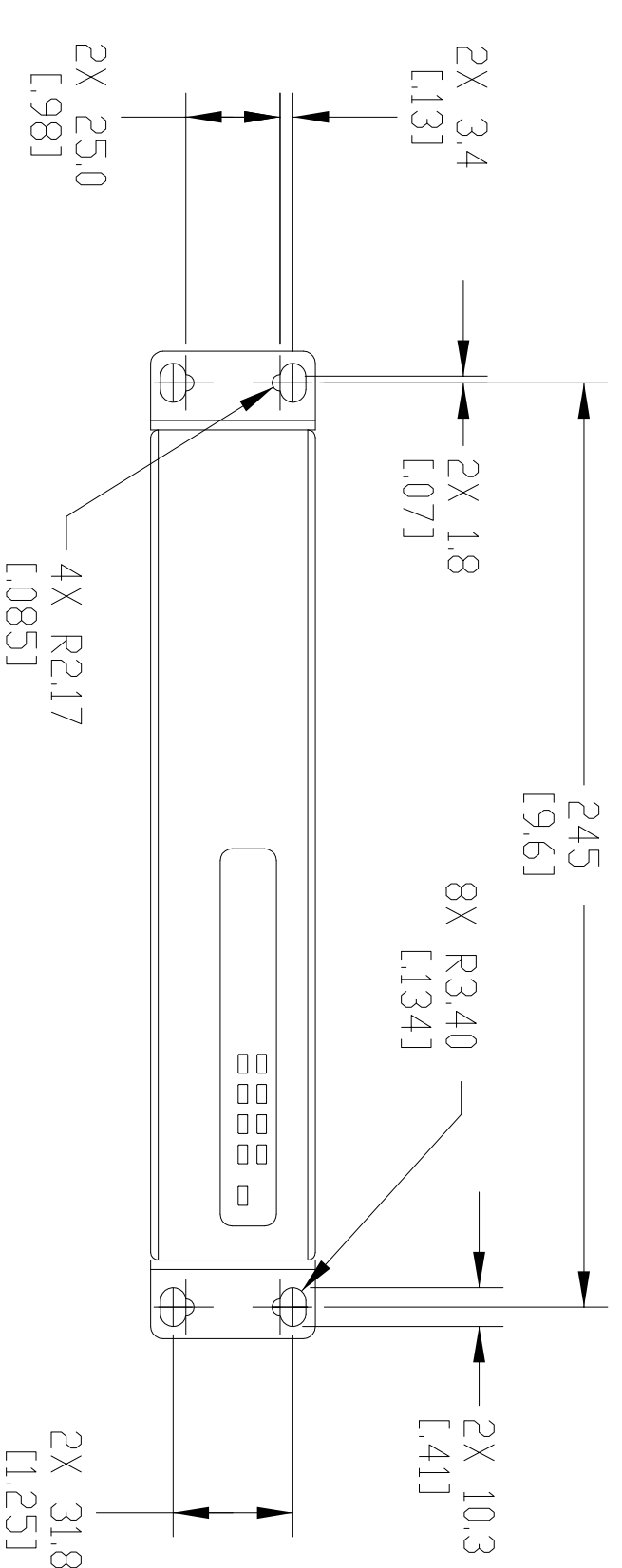
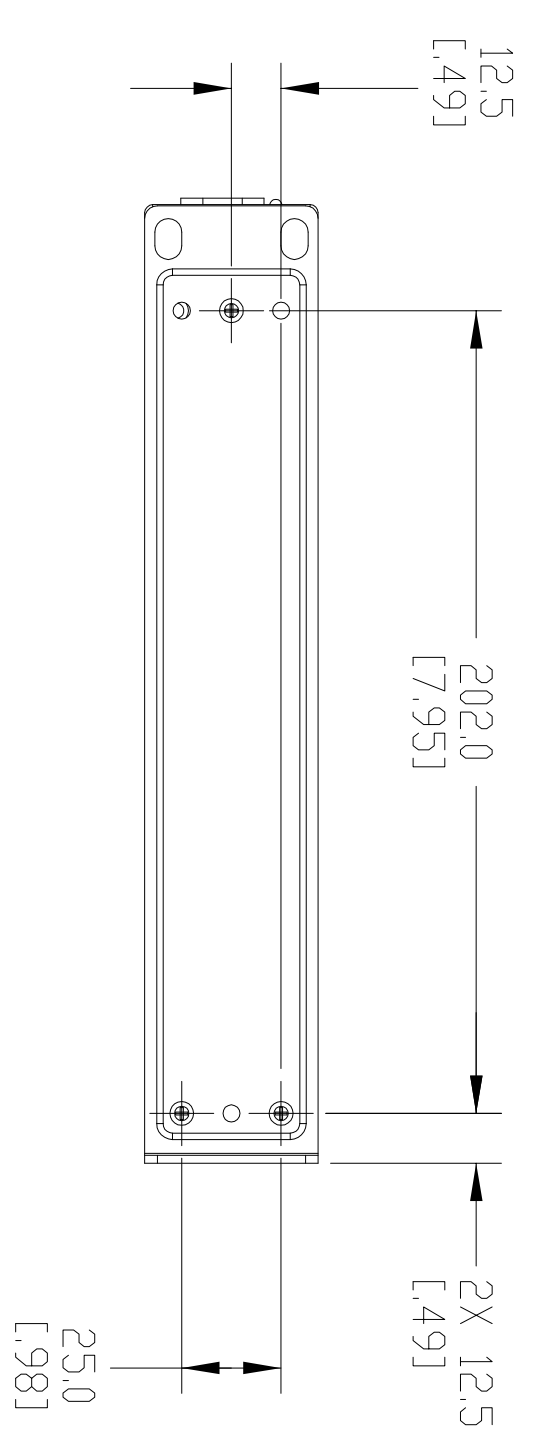


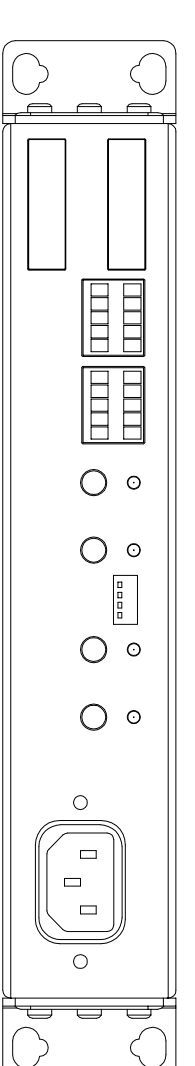
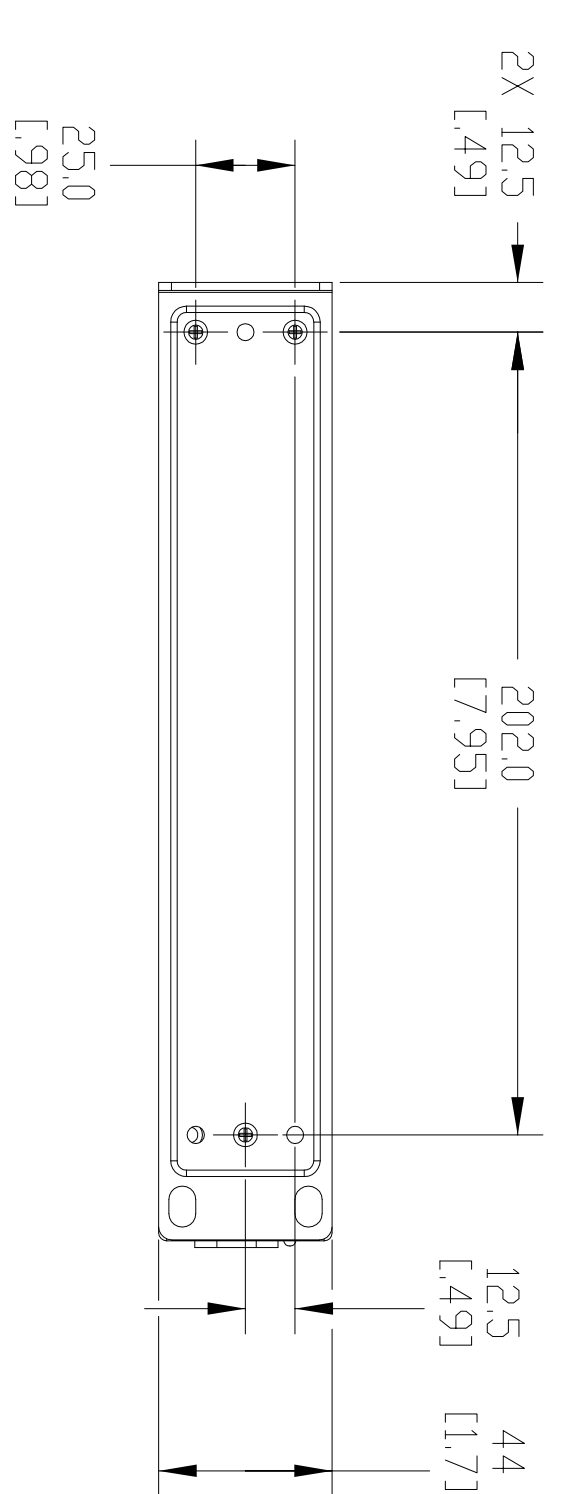
THIS DOCUMENT CONTAINS PROPRIETARY INFORMATION AND IS THE PROPERTY OF OSC AUDIO PRODUCTS. IT MAY NOT BE DISCLOSED, REPRODUCED OR USED WITHOUT EXPRESS WRITTEN CONSENT FROM OSC AUDIO PRODUCTS.



FRONT FACING CUT

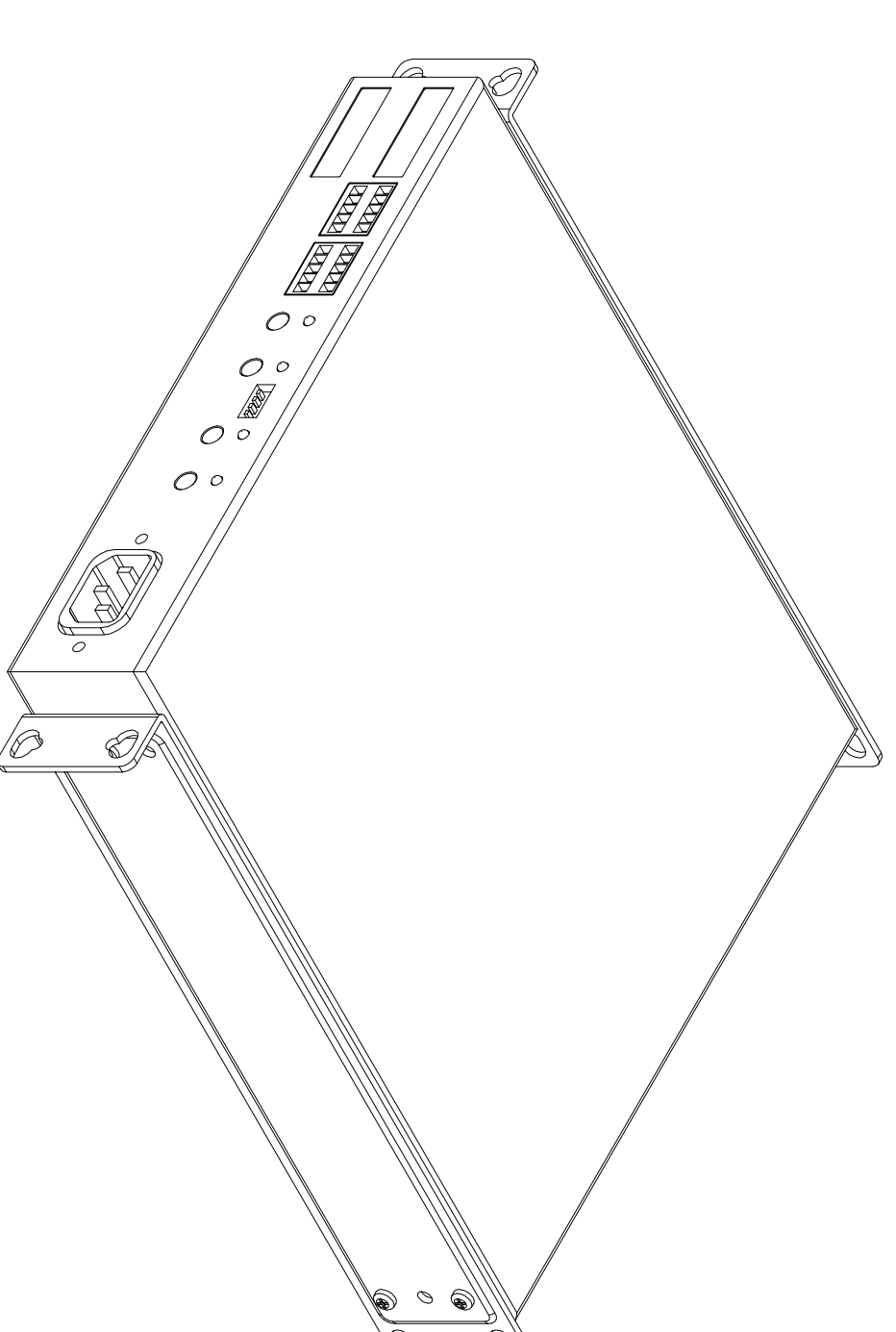


FRONT VIEW



REAR VIEW

REAR FACING CUT



REV		REVISIONS	
REV	DESCRIPTION	BY	DATE

6. THE FRONT MOUNTING CONFIGURATION IS DIMENSIONED. THE REAR MOUNTING CONFIGURATION IS SIMILAR.
5. MEETS UL2043 WITH PLENUM KIT FG-000995-00.
4. MEETS ENERGYSTAR REQUIREMENTS.
3. CHASSIS DESIGNED TO MEET IU RACK MOUNT SPECIFICATION IEC60297-3-100.
2. FEATURES SYMMETRICAL ABOUT CENTERLINE.
1. NET WEIGHT OF SPA4-100 APPROX. 14 KG (4.0 LBS). HARDWARE IS ADDITIONAL WEIGHT.

NOTES: UNLESS OTHERWISE SPECIFIED.

UNLESS OTHERWISE SPECIFIED, DIMENSIONS IN MILLIMETERS (IN)		DESIGNER	ENGINEERING SERVICES
TOLERANCES ARE		ENGINEER	
DECIMALS	FRACTIONS	ANGLES	
X .30(2)	XX 25(0.01)	1/2	
DANGER EDGES .25 (0.01) R MAX		TECHNICAL DIRECTOR	
MATERIAL		MANUFACTURING ENGINEER	
FINISH		DRAWING INFO	
		MODEL INFO	
		SIZE	CAGE CODE
		D	00P W4
		SCALE	0.500
		DO NOT SCALE	DRAWING
		SHEET	1 OF 1
		REV	A

OSC AUDIO PRODUCTS, LLC  
1675 MACARTHUR BOULEVARD  
COSTA MESA, CA 92626

SPA4-60, HALF RACK MOUNT