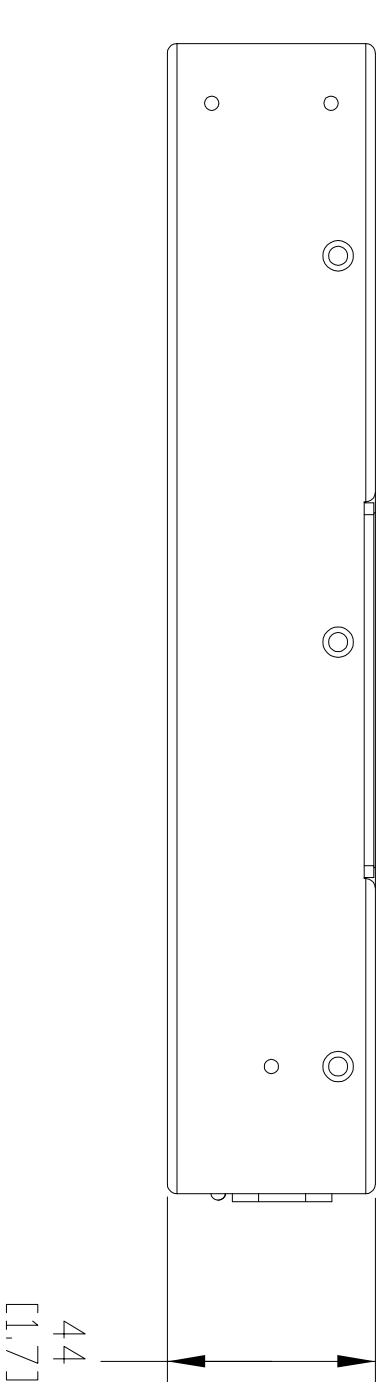
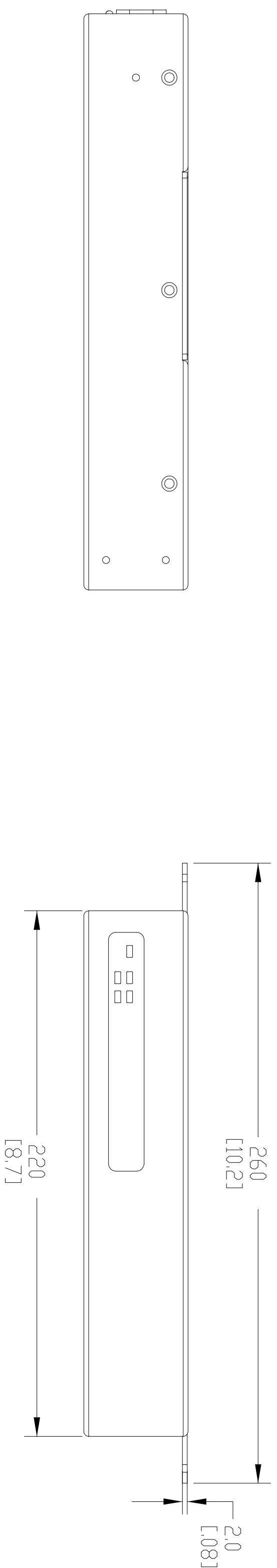
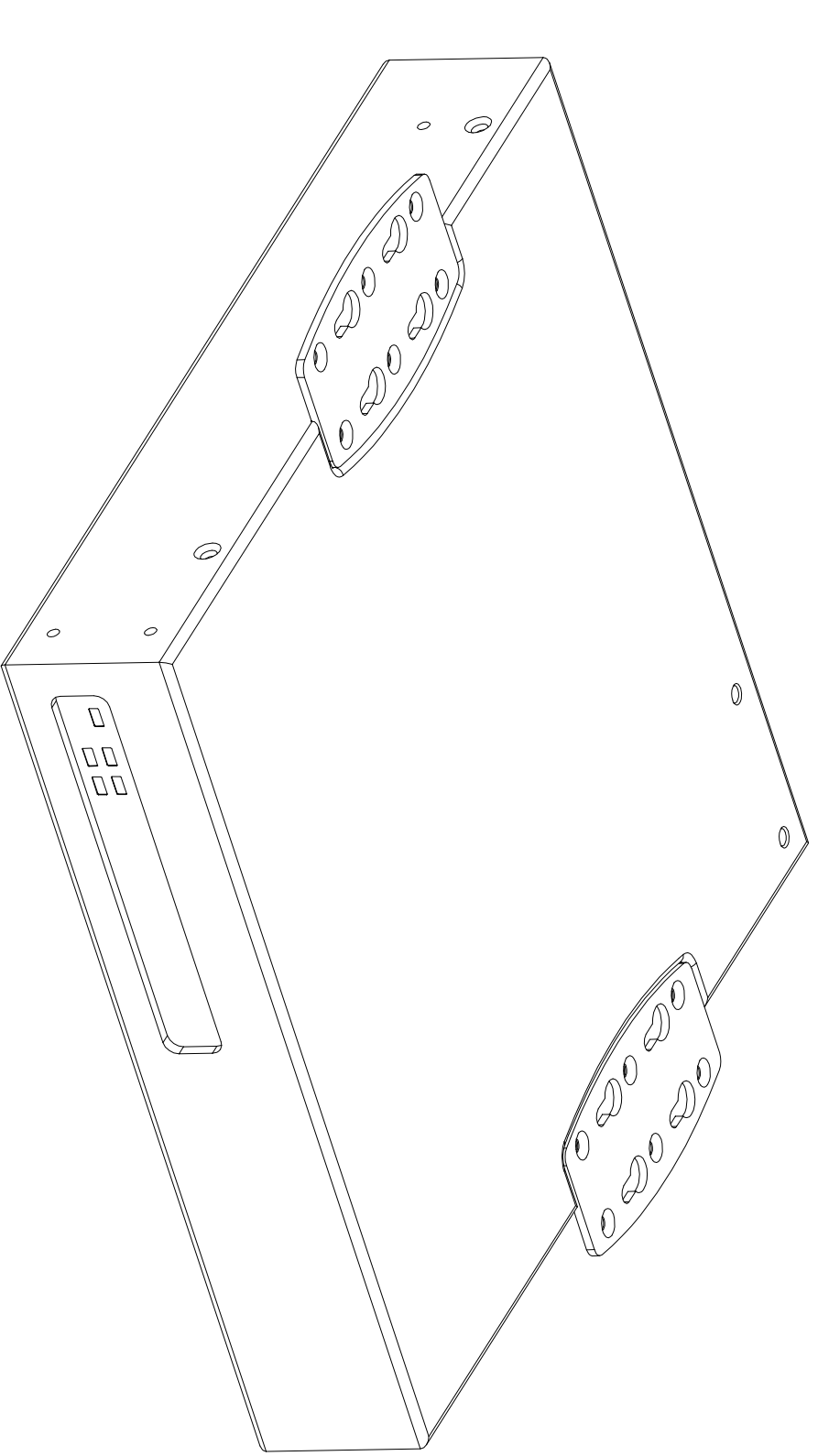
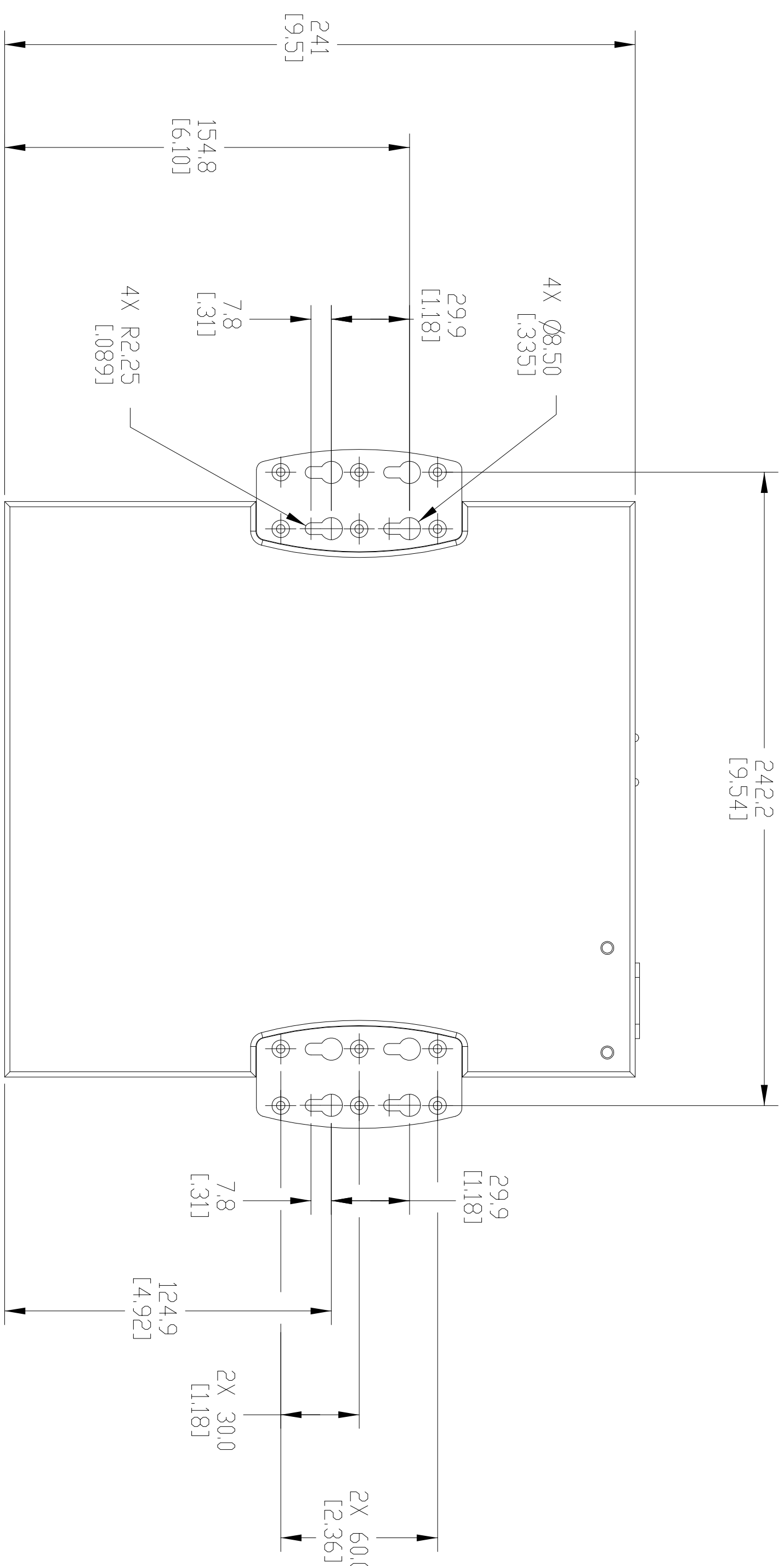


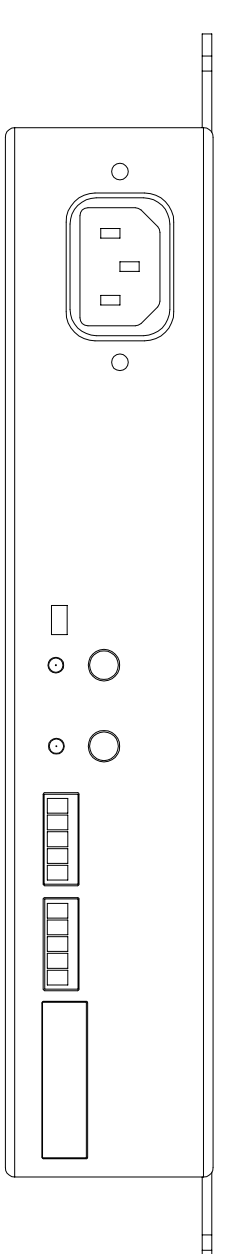
THIS DOCUMENT CONTAINS PROPRIETARY INFORMATION
 WHICH IS NOT TO BE DISCLOSED, REPRODUCED OR USED WITHOUT
 EXPRESS WRITTEN CONSENT FROM QSC AUDIO PRODUCTS.

REVISITONS		BY	DATE
REV	DESCRIPTION		



FRONT VIEW

REAR VIEW



5. MEETS UL2043 WITH PLENUM KIT FG-000995-00.
4. MEETS ENERGYSTAR REQUIREMENTS.
3. CHASSIS DESIGNED TO MEET 1U RACK MOUNT SPECIFICATION IEC60297-3-100.
2. FEATURES SYMMETRICAL ABOUT CENTERLINE.
1. NET WEIGHT OF SPA2-200 APPROX. 1.1 KG (3.5 LBS). HARDWARE IS ADDITIONAL WEIGHT.

NOTES: UNLESS OTHERWISE SPECIFIED.

UNLESS OTHERWISE SPECIFIED, DIMENSIONS IN MILLIMETERS (IN)		DESIGNER	ENGINEERING SERVICES
TOLERANCES ARE:		ENGINEER	
DECIMALS	FRACTIONS	ANGLES	
X .30(2)	XX 25(0.01)	1/2	
DANGER EDGES .25 (0.01) R MAX		TECHNICAL DIRECTOR	
MATERIAL		MANUFACTURING ENGINEER	
FINISH		DRAWING INFO	
		MODEL INFO	
SIZE	CAGE CODE	DRAWING NO.	REV
D	00P W4		A
SCALE	0.600	DD NOT SCALE	DRAWING SHEET 1 OF 1

QSC QSC AUDIO PRODUCTS, LLC
 1675 MACARTHUR BOULEVARD
 COSTA MESA, CA 92626

SPA2-200, SURFACE MOUNT